

AE26T60STX— Airi Stix Chair

Perforated aluminum chair with stix pattern seat and back and cast aluminum frame and legs

Material

The Stix chair is composed of 10-gauge, 5052-0 aluminum alloy with cast aluminum frame and legs. The seat and back features a unique architectural perforated stix pattern inspired by trees.

The 34.75" tall chair will support 200 lbs. per linear foot. Each foot features a nylon glide to protect your floors from scratching. The chairs stack up to four high for easy storage.

Finish

Fade-resistant, powder coated aluminum components feature a state-of-the-art primer proven to prevent rusting. Treated components exceed the industry standard by 34% in testing by independent sources.

Color

See website or sales representative for color choices.

Assembly

The chair ships fully assembled and ready for use.

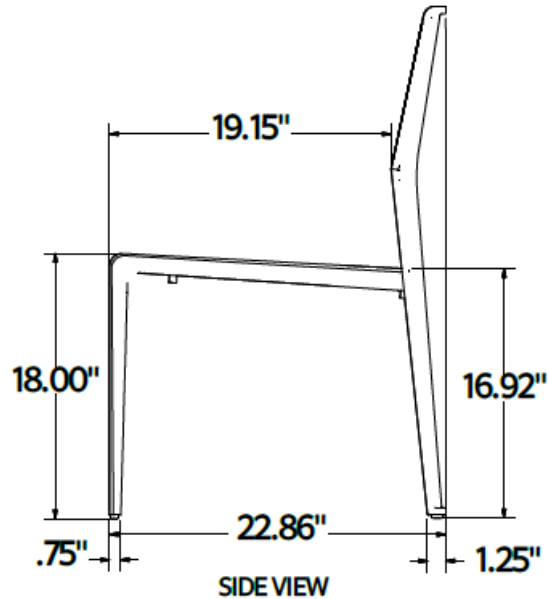
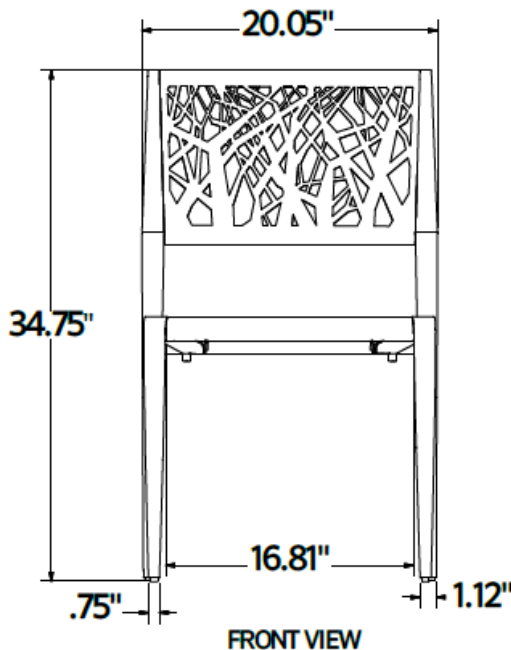
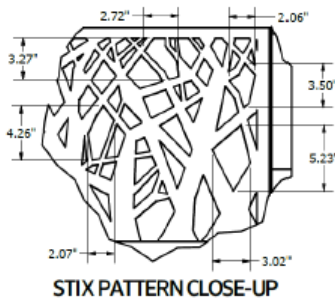
Maintenance

The product is virtually maintenance-free and requires only periodic cleaning with a sponge and a solution of mild detergent and water to remove surface dirt. Do not clean with a solvent or petroleum base products.

Warranty

20-year limited structural warranty with 7-year finish warranty against fading from the date of purchase. See full details on multi-year warranties for components at

www.anovafurnishings.com/warranty.aspx.



SHIPPING INFORMATION

Unit Weight	Unit Shipping Wt. UPS	Unit Shipping Wt. Truck (1+ Units)	Unit Ship Size w/Pallet	Max Units Per Pallet	Pallet Size/Wt. (48" X 48")	Total No. Pkgs.	Shipping Class
25 lbs.	N/A	33 lbs./unit	53.33 cu. ft.	4	50 lbs.	1	250