



211 North Lindbergh Blvd.
 St. Louis, MO 63141
 800.231.1327 tel. | 314.754.0835 fax
specify@anovafurnishings.com
anovafurnishings.com

AL1990W — Allure Aluminum 6' Flat Bench, Wall Mount

6' wall-mount flat bench with aluminum planks and surface mount bracket

Material

The 6' flat bench is composed of 1" x 2" extruded aluminum seat planks and steel under supports. The bench can be all one color or give it a two-tone look with the middle planks in the seat featuring a contrasting color. The bench is 72.50" long and will support 200 lbs. per linear foot.

Includes surface mount brackets designed to mount the bench to the top of a wall. Wall must be a minimum of 8" wide.

Surface mounting is required; mounting hardware is not included.

Finish

Fade-resistant, powder coated steel and aluminum components feature a state-of-the-art primer proven to prevent rusting. Treated components exceed the industry standard by 34% in testing by independent sources.

Color

See website or sales representative for color choices.

Assembly

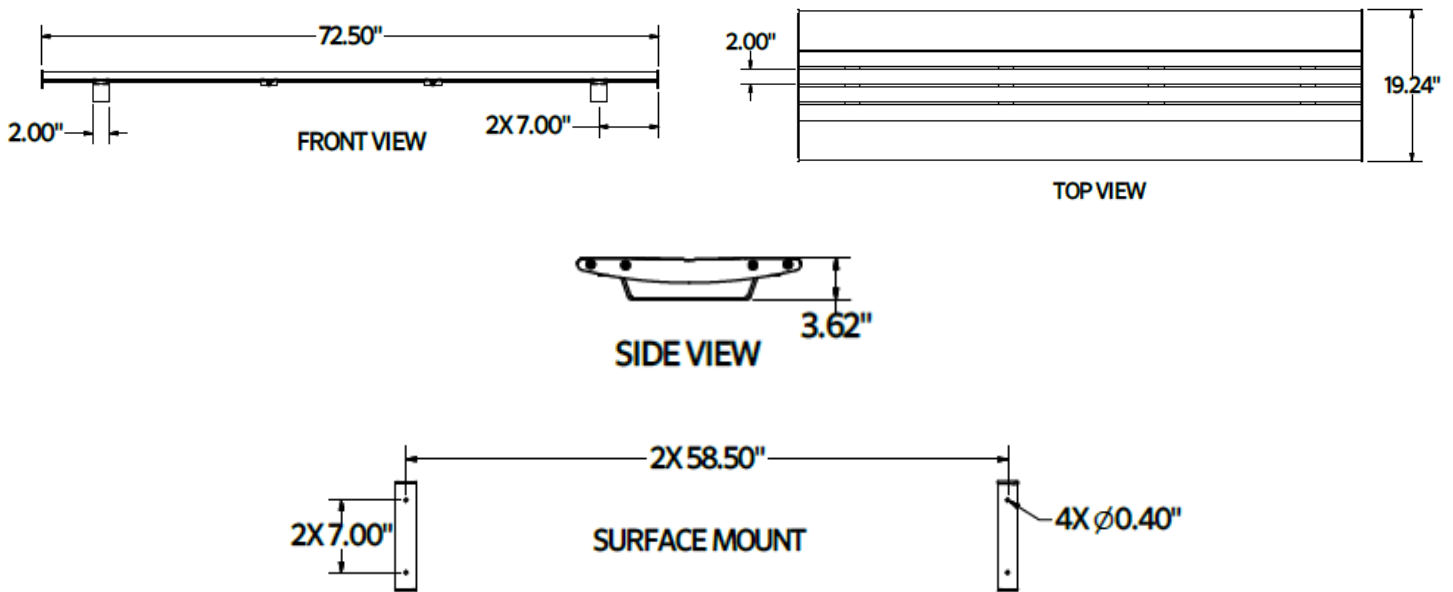
The bench ships fully assembled and ready for use. Assembly includes stainless steel hardware.

Maintenance

The product is virtually maintenance-free and requires only periodic cleaning with a sponge and a solution of mild detergent and water to remove surface dirt. Do not clean with solvent or petroleum base products.

Warranty

20-year limited structural warranty with 7-year finish warranty against fading from the date of purchase. See full details on multi-year warranties for components at www.anovafurnishings.com/warranty.aspx.



SHIPPING INFORMATION

Unit Weight	Unit Shipping Wt. UPS	Unit Shipping Wt. Truck (1+ Units)	Unit Ship Size w/Pallet	Max Units Per Pallet	Pallet Size/Wt. (32" X 74")	Total No. Pkgs.	Shipping Class
50 lbs.	N/A	54 lbs./unit	12.33 cu. ft.	10	100 lbs.	1	85