



BH1835TBT — Beacon Hill Thermory® Receptacle with Bonnet Top

35-gallon receptacle with Thermory planks, bonnet top, plastic liner and rubber feet

Material

The receptacle is 39.77" tall and is composed of nominal 1" x 4" Thermory planks with choice of horizontal or vertical plank placement and an extruded aluminum frame. Flexible modular design allows for customization; call for information.

The built-in, tapered bonnet top is 7.27" tall, made from 11-gauge steel and covers an 11.13" square waste opening. The top lifts off for easy waste disposal.

The receptacle is designed to be portable for flexibility in placement or surface mounted using .50" pre-drilled holes in the base to prevent movement. The rubber feet are adjustable to assist in leveling the receptacle. The reusable plastic liner is made of high-density polyethylene. The mounting hardware is not included.

Low-maintenance Thermory is made from thermally-modified North American White Ash—a sustainably-harvested and renewable temperate hardwood. It is an environmentally-friendly hardwood and a great alternative to commonly used tropical rainforest hardwoods because of its dimensional stability and Class 1 durability (25+ years). Thermory has a lower carbon footprint than tropical hardwoods.

Finish

Fade-resistant, powder coated steel and aluminum components feature a state-of-the-art primer proven to prevent rusting. Treated components exceed the industry standard by 34% in testing by independent sources.

Thermory is a lustrous chocolate brown color when new and will naturally age to uniform silver/gray over time. The color-changing process begins immediately and varies with the amount of UV-exposure.

Color

See website or sales representative for color choices.

Assembly

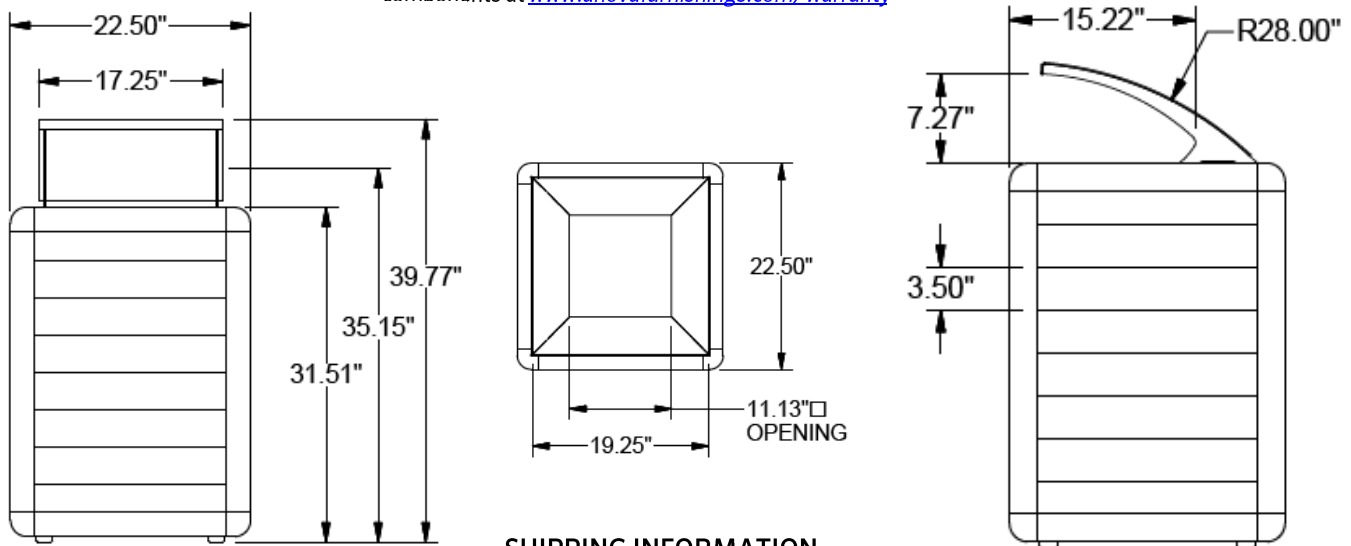
The receptacle ships fully assembled and ready for use.

Maintenance

Clean with mild soap and water. Let dry thoroughly. To maintain original color, regularly apply standard deck oil, such as Cutek® Extreme Wood Protection Oil.

Warranty

10-year limited structural warranty from the date of purchase. See full details on multi-year warranties for components at www.anovafurnishings.com/warranty.aspx



SHIPPING INFORMATION

Unit Weight	Unit Shipping Wt. UPS	Unit Shipping Wt. Truck (1+ Units)	Unit Ship Size w/Pallet	Max Units Per Pallet	Pallet Size/Wt. (32" x 48")	Total No. Pkgs.	Shipping Class
114 lbs.	N/A	121 lbs./unit	36 cu. ft.	2	50 lbs.	1	150