



211 North Lindbergh Blvd.
 St. Louis, MO 63141
 888.535.5005 tel
 314.754.0835 fax
 specify@anovafurnishings.com
 anovafurnishings.com



Model No. BRP304E not pictured

**BRP304
 BRP304E
 BIKE RACK**
 7-bike and 14-bike steel
 sport and scooter bike rack,
 wide spacing, portable/
 surface mount

Material

The bike rack is composed of 2.38" O.D. steel tube support sections and .5" O.D. steel rods welded at 7.5" intervals. The bike rack is protected by a fade resistant powder coat finish featuring a state of the art primer proven to prevent rusting.

The bike rack is 27.8" wide and 34.04" tall. The BRP304 rack (76.75" long) is designed to accommodate up to 7 bikes and the BRP304E rack (151.12" long) is designed to accommodate up to 14 bikes. Bikes may enter from either side of the rack. The bike rack is portable, allowing for flexibility in placement and the legs have predrilled tabs to allow for surface mounting to prevent movement.

Finish

Fade-resistant powder coated steel components feature a state-of-the art primer proven to prevent rusting. Treated components exceed industry standard by 34% in testing by independent sources.

Color

See website or sales representative for color choices.

Assembly

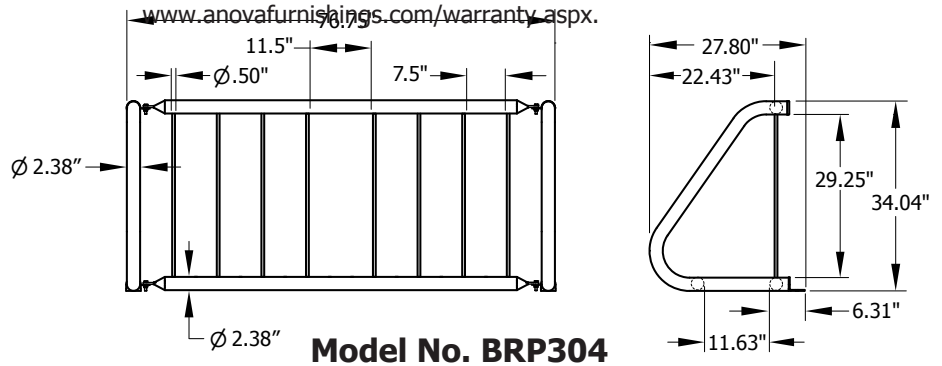
Some assembly is required.

Maintenance

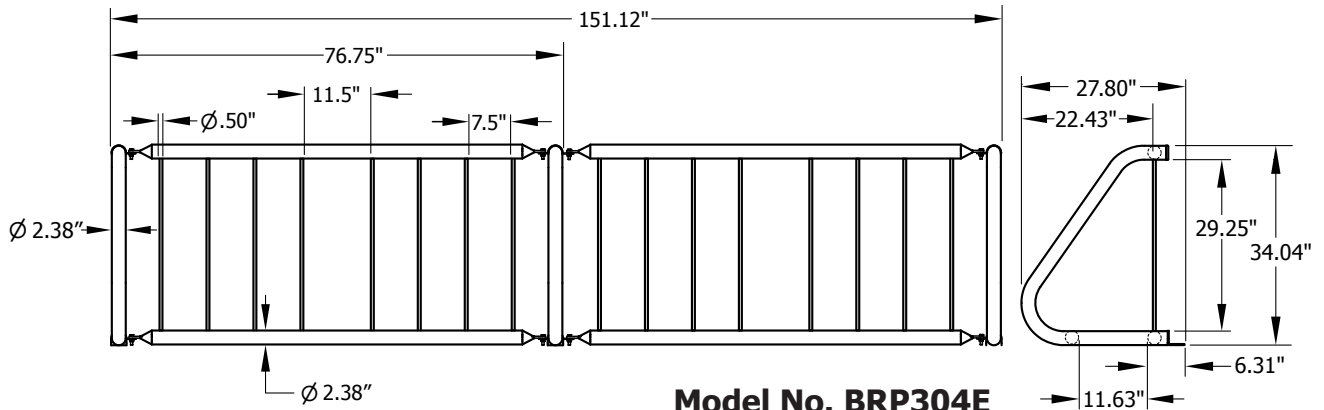
Maintenance-free. To clean, spray with a power washer.

Warranty

20-year limited structural warranty with 7-year finish warranty against fading from the date of purchase. See full details on multi-year warranties for components at www.anovafurnishings.com/warranty.aspx.



Model No. BRP304



Model No. BRP304E

Shipping Information

Model No.	Unit Wt.	Unit Shipping Wt. UPS	Unit Shipping Wt. Truck (1+ units)	Unit Ship Size w/Pallet	Max Units per Pallet	Pallet Wt. (84" x 36")	Total No. Pkgs	Shipping Class
BRP304	105 lbs	NA	125 lbs/unit	16 cu. ft.	3	100 lbs	1	150
BRP304E	195 lbs	NA	225 lbs/unit	42 cu. ft.	1	100 lbs	1	150