



anovafurnishings.com
888.535.5005 tel

ASSEMBLY INSTRUCTIONS

Traditional Bike Racks

BRP300 - Single-Side, Powder Coated, 7-Bike Capacity

BRPVC300 - Single-Side, Plastisol Coated, 7-Bike Capacity

BRP304 - Sport/Scooter Bike Rack, Powder Coated, 7-Bike Capacity

BRP305 - Sport/Scooter Bike Rack, Powder Coated, 9-Bike Capacity

BRPTRI305 - Sport/Scooter Bike Rack, Powder Coated, Tamper-Resistant, 9-Bike Capacity



Traditional Bike Rack



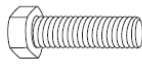
Sport & Scooter Bike Rack

TOOLS NEEDED

- Ratchet with 9/16" Socket
- 9/16" Open-end or Box-end Wrench

ASSEMBLY HARDWARE:

For tamper resistant hardware see page 2



12 x
3/8" X 1.5"
Hex Head Bolt

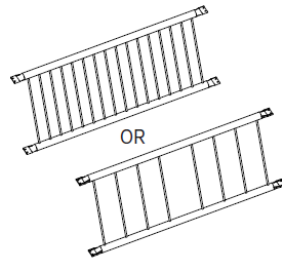


12 x
3/8"
Flanged Nut



24 x
3/8"
Flat Washer

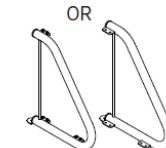
BENCH COMPONENTS:



1 x
Inner Rack
(3.5" or 7.5" Spacing)



1 x
Support



1 x
Right End

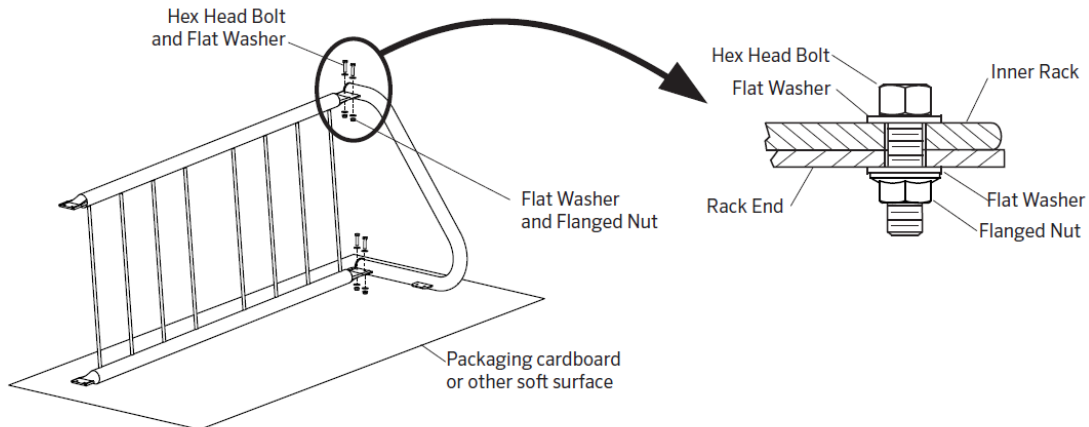
1 x
Left End

ASSEMBLY:

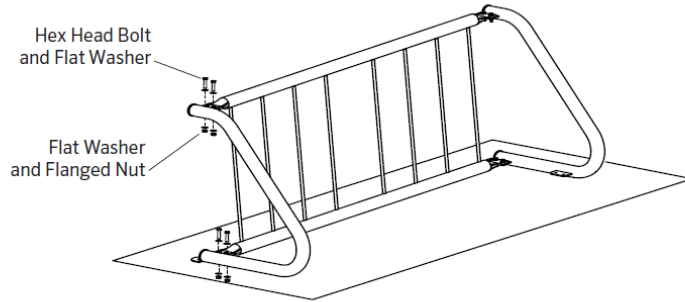
NOTE: Before assembling the Nuts to the Bolts, it is recommended that a light oil or petroleum jelly be applied to the Bolt threads.

1. Inspect the shipping container contents for damage and to determine that all components and hardware are present.
2. Place the Inner Rack on the packaging cardboard or other soft surface. Position one of the Rack Ends near one end of the Inner Rack.
3. Align the upper mounting holes in the end of one of the Rack Ends with the upper mounting holes of the Inner Rack. Install a Flat Washer onto one of the Hex Head Bolts and insert the Bolt through both parts. Install a Flat Washer and Flanged Nut on the end of the Bolt and tighten finger tight so adjustments can be made during assembly.

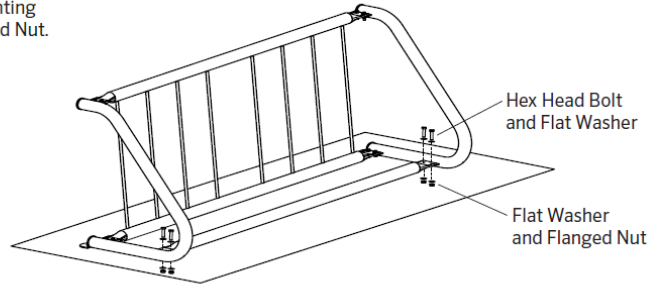
Install a Bolt and Washer through each of the other sets of mounting holes in that end of the Inner Rack and Rack End bracket and secure each Bolt with a Flat Washer and Flanged Nut.



- Attach the other Rack End to the other end of the Inner Rack in the same manner, installing the 1.5" long Bolts from the top. Use a wrench to tighten the hardware after all Bolts are installed.



- Install the Support using a Bolt with Washer in each mounting hole and secure each Bolt with a Flat Washer and Flanged Nut.



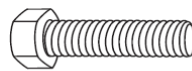
- Tighten all of the hardware and move the Bike Rack to the desired location.
- Two weeks after installation, retighten all hardware.

IF YOU PURCHASED A MODEL WITH TAMPER RESISTANT HARDWARE:

TOOLS NEEDED:

- Ratchet with 3/4" Socket
- 9/16" Open-end or Box-end Wrench

HARDWARE:



12 x
3/8" X 1.5"
Hex Head Bolt



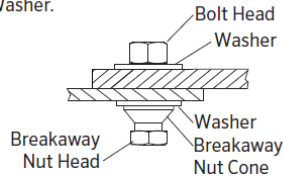
12 x
3/8"
Breakaway Nut



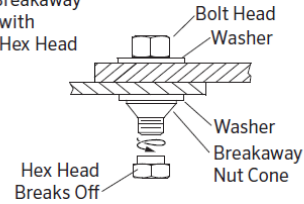
24 x
3/8"
Flat Washer

Installing Tamper Resistant Hardware:

- Orient the Breakaway Nut so the cone shape is toward the Washer.



- After the fasteners have been installed, torque the Breakaway Nut using the Ratchet with 3/4" Socket until the Hex Head breaks off.



- Furniture must not be used other than for its intended purpose and should be inspected regularly for loose, missing, or broken hardware, and general instability.
- Furniture that is damaged or appears to be unstable must be removed from service and be repaired or replaced.
- Repairs must be made using only factory authorized parts and methods.

CARE AND MAINTENANCE

- Do not drag the assembled unit across any surface.
- This product requires only periodic cleaning with a sponge and a solution of mild detergent and water to remove surface dirt. Do not clean with a solvent or petroleum based products.