



211 North Lindbergh Blvd.  
 St. Louis, MO 63141  
 800.231.1327 tel. | 314.754.0835 fax  
[specify@anovafurnishings.com](mailto:specify@anovafurnishings.com)  
[anovafurnishings.com](http://anovafurnishings.com)

**CR2784R — Coronado Recycled Plastic 4' Contour Bench**

**4' contour bench with recycled plastic planks with aluminum accents and cast aluminum armrests and legs**

**Material**

The 4' contour bench is composed of 1" x 3.5" (1" x 4" nominal dimensions) recycled plastic vertical planks with aluminum accents and cast aluminum armrests and legs. The armrests have individual right end and left end orientations. The bench is 51.54" long and will support 200 lbs. per linear foot.

The bench is designed to be portable for flexibility in placement or surface mounted using pre-drilled .50" diameter holes in feet to prevent movement. Optional mounting hardware is available.

The planks are made of 95% recycled content by weight and are impervious to moisture and corrosion, do not require the application of sealants or preservatives, and will never need painting or staining throughout the product's life.

**Finish**

Fade-resistant, powder coated aluminum components feature a state-of-the-art primer proven to prevent rusting. Treated components exceed the industry standard by 34% in testing by independent sources.

**Color**

See website or sales representative for color choices.

**Assembly**

The bench ships fully assembled and ready for use. Assembly includes stainless steel hardware.

**Maintenance**

The product is virtually maintenance-free and requires only periodic cleaning with a sponge and a solution of mild detergent and water to remove surface dirt. Do not clean with solvent or petroleum base products.

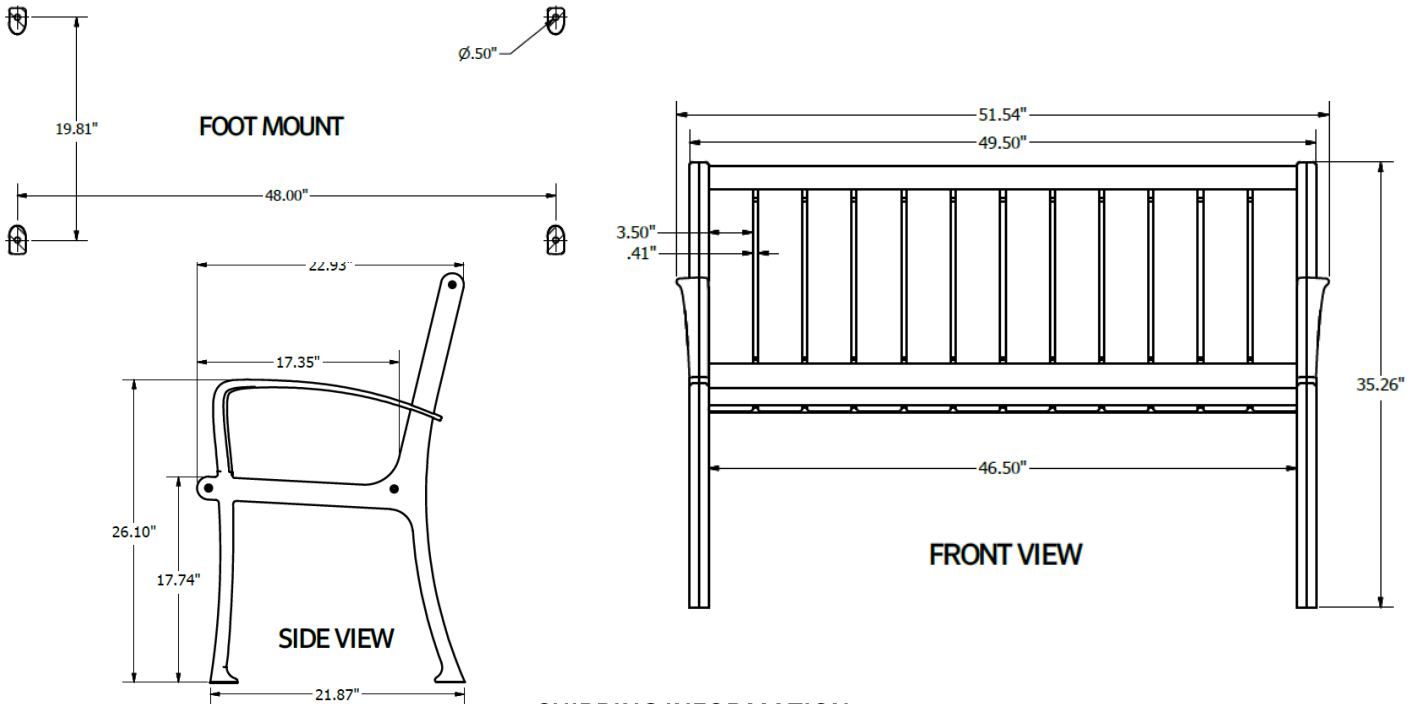
**Warranty**

20-year limited structural warranty on recycled plastic from the date of purchase. See full details on multi-year warranties for components at [www.anovafurnishings.com/warranty.aspx](http://www.anovafurnishings.com/warranty.aspx).



**Accessories**  
 Hold Down Kit

A1004



**SHIPPING INFORMATION**

Unit Weight	Unit Shipping Wt. UPS	Unit Shipping Wt. Truck (1+ Units)	Unit Ship Size w/Pallet	Max Units Per Pallet	Pallet Size/Wt. (48" x 58")	Total No. Pkgs.	Shipping Class
113 lbs.	N/A	121 lbs./unit	65.25 cu. ft.	1	50 lbs.	1	250

3/29/2018

Copyright 2018 ANOVA®

Made in USA.