



anovafurnishings.com
888.535.5005 tel

ANCHORING INSTRUCTIONS

A1004 - Coronado Drop-In Anchor Kit (sold separately)

***NOTE: BENCHES SHIP FULLY ASSEMBLED**

CR2780B* - Coronado Bamboo 6' Contour Bench

CR2780R* - Coronado Recycled Plastic 6' Contour Bench

CR2784B* - Coronado Bamboo 4' Contour Bench

CR2784R* - Coronado Recycled Plastic 4' Contour Bench

TOOLS NEEDED:

- Safety glasses
- Hammer drill with 3/8" masonry bits
- Hammer
- 1/4" drop-in anchor setting tool
- 1/8" Allen wrench

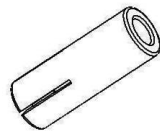


HARDWARE:



(4) 1/4"-20 x 7/16" Set Screws

OPTIONAL DROP-IN ANCHOR KIT *Is Sold Separately.*



(4) 1/4"-20 x 1" Zinc Coated Drop-in Anchors



(4) 1/4"-20 x 1 1/2" Stainless Steel Socket Head Cap Screws

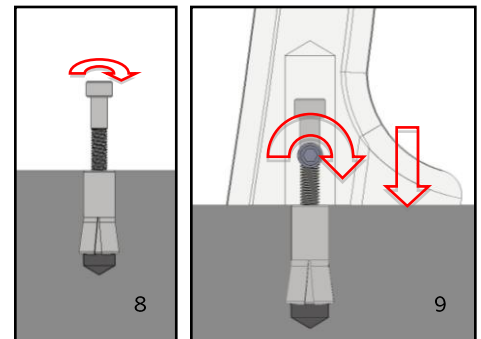
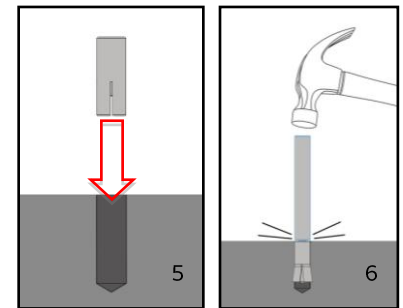
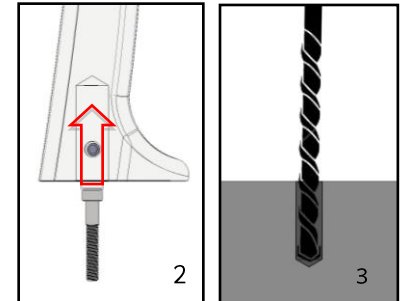
INSTALLATION INSTRUCTIONS: **Note: Coronado benches ship fully assembled.*

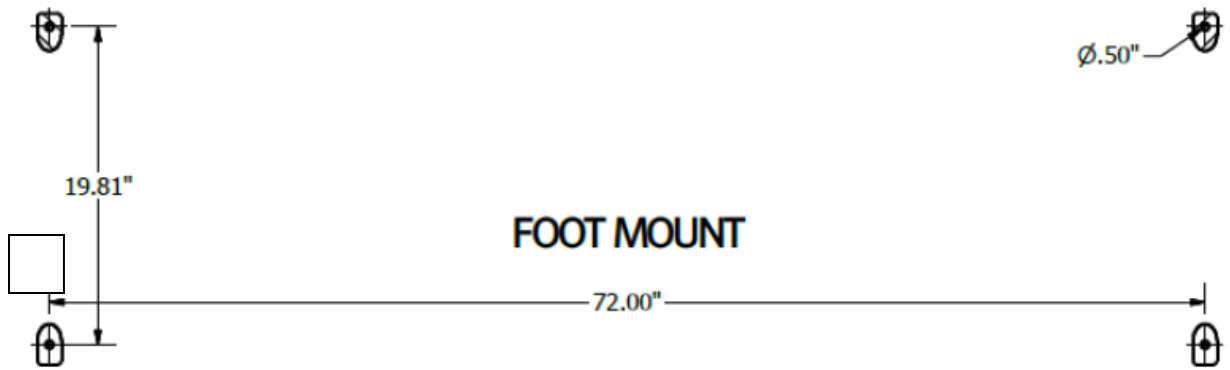
1. Examine footing or slab for damage or defects. The footing or slab should be reinforced concrete rated to a 3,000 PSI minimum and be cured for at least 28 days prior to installation of the bench.

Installation Sequence:

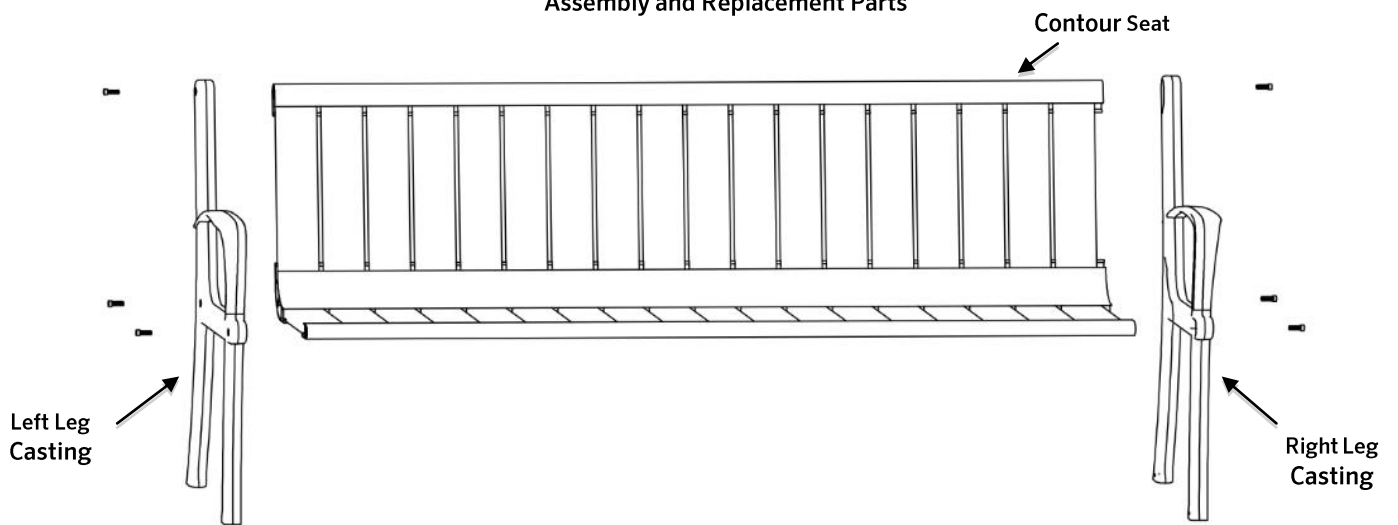
⚠ CAUTION: Oversized holes and holes drilled too deep in the concrete will make it difficult to set the anchor.

2. Partially insert four 1/4"-20 x 1-1/2 socket head cap screws into the mounting holes on the bottom of the bench feet. Tighten the set screws in the bench feet with the 1/8" Allen wrench to hold the screws in place. Now use the exposed portion of the screw to mark the location of the four holes to be drilled.
3. The minimum distance the anchor should be to the edge of the footing is 3". Use a hammer drill with a 3/8" masonry bit to drill the hole 1 1/4" deep.
4. Evacuate debris from the mounting holes using compressed air. This will create a clean environment for the anchor system.
5. Insert one 1/4"-20 x 1" drop-in anchor into the hole and use a hammer to tap the anchor flush with the concrete.
6. Use the 1/4" drop-in anchor setting tool and hammer to fix the anchor into the drilled hole by inserting the narrow end of the tool into the anchor and giving it several hammer blows.
7. Repeat steps 3 – 6 until all anchors are installed.
8. Remove the socket head cap screws from the bench feet and thread one into each anchor until the screws stop.
9. Lower the bench feet on to the protruding socket head cap screws aligning the mounting holes with the screws. Then use the 1/8" Allen wrench to tighten the set screws into the legs to secure the bench.





Assembly and Replacement Parts



NOTE: Please contact Customer Care at 1-866-797-1761 to receive assistance in placing a replacement part order.

 WARNING	<ul style="list-style-type: none"> • Furniture must not be used other than for its intended purpose and should be inspected regularly for loose, missing, or broken hardware, and general instability. • Furniture that is damaged or appears to be unstable must be removed from service and be repaired or replaced. • Repairs must be made using only factory authorized parts and methods.
--------------------	---

CARE AND MAINTENANCE	<ul style="list-style-type: none"> • Do not drag the assembled unit across any surface. • This product requires only periodic cleaning with a sponge and a solution of mild detergent and water to remove surface dirt. Do not clean with a solvent or petroleum based products.
-----------------------------	--