



211 North Lindbergh Blvd.
 St. Louis, MO 63141
 888.535.5005 tel
 314.754.0835 fax
specify@anovafurnishings.com
anovafurnishings.com



Material

The 30-gallon receptacle is composed of .5" thick aggregate and epoxy bonded to a hardboard substrate and supported by a non-rusting aluminum frame. The receptacle includes rubber feet and a vacuum formed high-density polyethylene push door top with embossed "THANK YOU" message. The top lifts off for easy waste disposal. The receptacle top also includes two 4" web security straps.

The reusable plastic liner is made of black high-density polyethylene.

The receptacle is designed to be portable, allowing for flexibility in placement.

Finish

The aggregate is cast in a durable epoxy resin that remains clear and bright throughout its life.

Color

See website or sales representative for color choices.

Assembly

The receptacle arrives fully assembled for immediate use on site.

Maintenance

Maintenance-free. To clean, spray with a power washer.

Warranty

5-year limited structural warranty from the date of purchase. See full details on multi-year warranties for components at www.anovafurnishings.com/warranty.aspx.

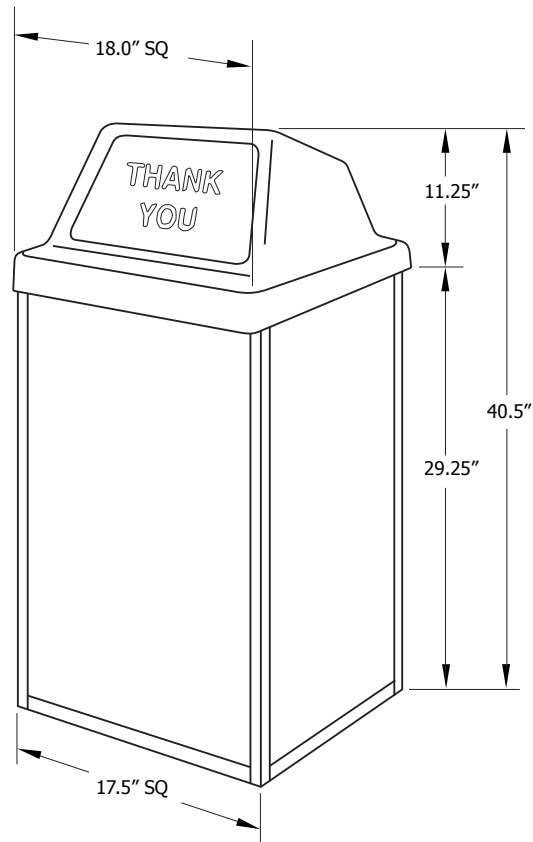
**E30AGHT
 ESSENCE RECEPTACLE**
 30-gallon bonded aggregate panel
 receptacle with polyethylene push
 door top and plastic liner

Replacement Parts

Black Plastic Liner **R-E30PLR**

Accessories

Hold Down Kit **PANELHLD**



Shipping Information

Unit Wt.	Unit Shipping Wt. UPS	Unit Shipping Wt. Truck (1+ Units)	Unit Ship Size	Max Units per Pallet	Pallet Wt.	Total No. Pkgs	Shipping Class
102 lbs	N/A	109 lbs/unit	10 cu. ft.	N/A	N/A	1	125