

211 North Lindbergh Blvd.  
 St. Louis, MO 63141  
 800.231.1327 tel. | 314.754.0835 fax  
[specify@anovafurnishings.com](mailto:specify@anovafurnishings.com)  
[anovafurnishings.com](http://anovafurnishings.com)

## E30PP — Essence Trash Receptacle, Bonnet Top, Graphic Panels

30-gallon trash receptacle with aluminum frame, four graphic panels, bonnet top, plastic liner and rubber feet



### Material

The 30-gallon receptacle is 37.5" tall and composed of four graphic panels supported by a non-rusting aluminum frame.

Graphic panels are made of an image printed on vinyl with UV-resistant inks and laminated to .125" thick styrene. Customers may choose from stock graphics already developed or submit their own artwork to create a custom design.

The bonnet top consists of a non-rusting aluminum frame and a high-density polyethylene panel. Top lifts off for easy trash removal. Receptacle includes adjustable rubber feet and a reusable plastic liner made of black, high-density polyethylene.

The receptacle is designed to be portable for flexibility in placement or surface mounted to prevent movement; optional hold down kit is available.

### Finish

Fade-resistant, powder coated aluminum frame features a state-of-the-art primer proven to prevent rusting. Treated components exceed the industry standard by 34% in testing by independent sources.

UV-resistant inks on the graphic panels provide a sharp, clear, non-fading image. Printshield, a clear laminate, provides extra protection to the graphic image from weather, abrasion and cleaning.

### Color

See website or sales representative for color choices.

### Assembly

The receptacle ships fully assembled and ready for use. Using the optional hold down kit may require some assembly.

### Maintenance

The product is virtually maintenance-free and requires only periodic cleaning with a sponge and a solution of mild detergent and water to remove surface dirt. Do not clean with solvent or petroleum base products.

### Warranty

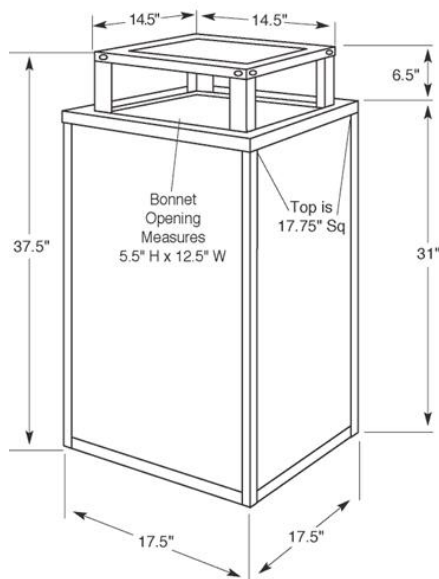
3-year limited structural warranty from the date of purchase. See full details on multi-year warranties for components at [www.anovafurnishings.com/warranty.aspx](http://www.anovafurnishings.com/warranty.aspx).

### Replacement Parts

Black Plastic Liner R-E30PLR

### Accessories

Hold Down Kit PANELHLD



## SHIPPING INFORMATION

Unit Weight	Unit Shipping Wt. UPS	Unit Shipping Wt. Truck (1+ Units)	Unit Ship Size w/Pallet	Max Units Per Pallet	Pallet Size/Wt. (48" X 48")	Total No. Pkgs.	Shipping Class
30 lbs.	N/A	43 lbs./unit	10 cu. ft.	4	50 lbs.	1	125

4/28/2017

Copyright 2017 ANOVA®

Made in USA.