



anovafurnishings.com
888.535.5005 tel

ASSEMBLY INSTRUCTIONS

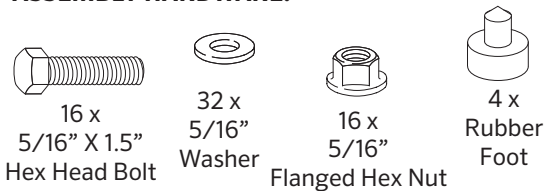
D2003	Picnic Table	L1350	Picnic Table
D2003COM	Picnic Table	L2003	Picnic Table
D2005	Picnic Table	D1007	ADA Picnic Table
D2006	Picnic Table	D1105	ADA Picnic Table
D2012	Picnic Table	F1038	ADA Picnic Table
D2013	Picnic Table	F1105	ADA Picnic Table
D2014	Picnic Table	F3052	ADA Picnic Table
F1149	Picnic Table		
F1181	Picnic Table		
F2003	Picnic Table		
F2012	Picnic Table		
F2014	Picnic Table		
F3053	Picnic Table		



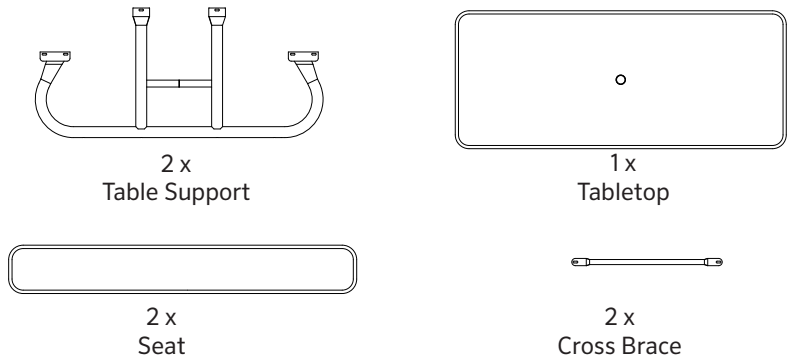
TOOLS NEEDED:

- 1/2" Open-end or Box-end Wrench
- Ratchet with 1/2" Socket
- Level
- Rubber Mallet

ASSEMBLY HARDWARE:



BENCH COMPONENTS:



ASSEMBLY:

The assembly is a two-person operation.

1. Inspect the shipping container contents for damage and to determine that all components and hardware are present.
2. Place the Tabletop upside down on the shipping packaging or other soft surface to avoid scratching the product. Locate one of the Supports and position it near the end of the Tabletop.

3. Align the mounting holes in the Support with the holes in the bracket on one end of the Tabletop. Install a Washer onto one of the provided Bolts and insert the Bolt through one of the mounting holes in both parts, with the Bolt head on the outside surface of the Support. Install a Washer and Flanged Nut on the inside end of the Bolt.

NOTE: Installing the Bolt in this direction reduces the risk of scratching during use.

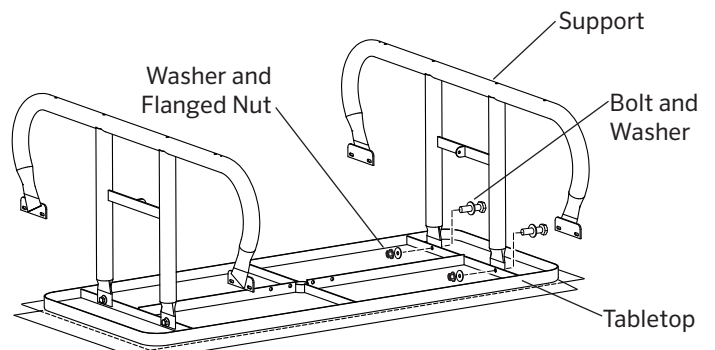
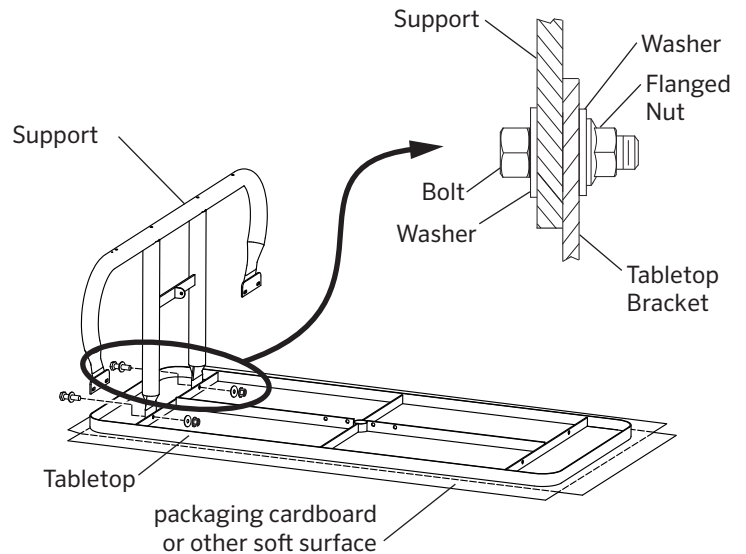
Leave the hardware finger tight so that adjustments can be made during assembly and leveling.

Install a Bolt and Washer through the other mounting hole in the Support and Tabletop bracket, and install a Washer and Flanged Nut. Again, leave the hardware finger tight.

4. Position the remaining support near the other end of the Tabletop.

Align the mounting holes in the Support with the holes in the bracket on the end of the Tabletop. Install a Washer onto a Bolt and insert the Bolt through one of the mounting holes in both parts, with the Bolt head on the outside surface of the Support.

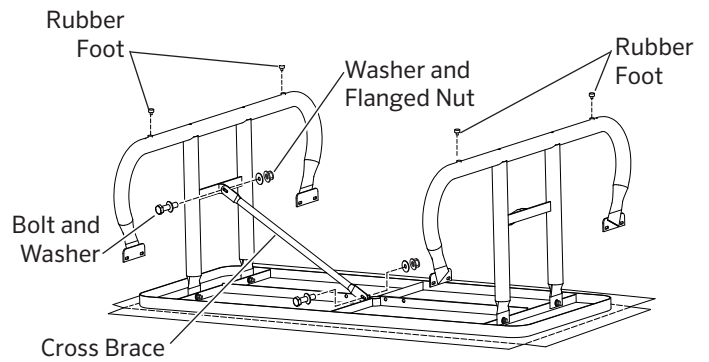
Install a Washer and Flanged Nut on the inside end of the Bolt. Leave the hardware finger tight.



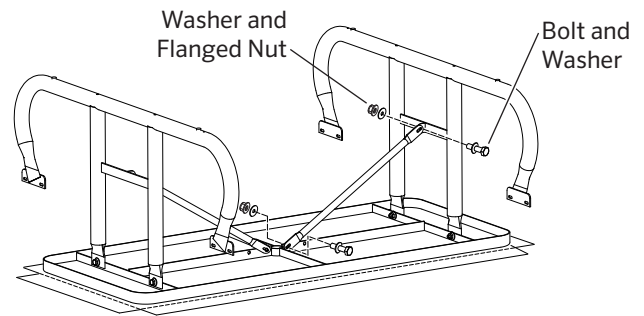
5. Locate the four Rubber Feet and place them in the outermost holes on the bottom of the supports. Use the Rubber Mallet to set the Feet into place.

6. Locate one of the Cross Braces and position it so that the mounting hole in one end aligns with the mounting hole in the bracket in the center of the Support. Put a Washer on one of the Bolts and insert the Bolt through the Cross Brace and Support Bracket and put a Washer and Flanged Nut on the end of the Bolt. Leave the hardware finger tight so that adjustments can be made while assembling and leveling.

Position the other end of the Cross Brace so the mounting hole aligns with the hole closest to the center of the Tabletop Bracket. Install a Bolt and Washer through the Cross Brace and the Tabletop Bracket and install a Washer and Flanged Nut on the end of the Bolt. Again, leave the hardware finger tight.

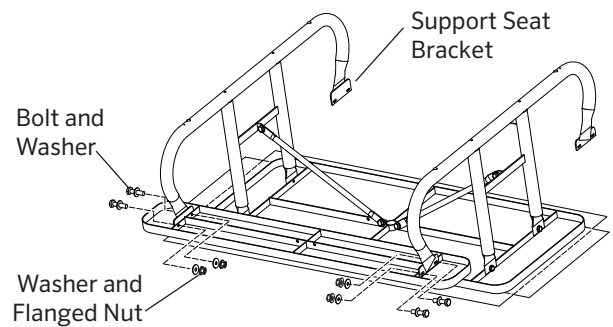


7. Attach the other Cross Brace to the Tabletop and other Support Bracket in the same manner. Leave the hardware finger tight.



8. Locate one of the Seats and position it up to the Support Seat Brackets. Line up the mounting holes in the Seat with the mounting holes in the Support Seat Bracket. Insert a Bolt with Washer through the each of the sets of mounting holes and tighten finger tight.

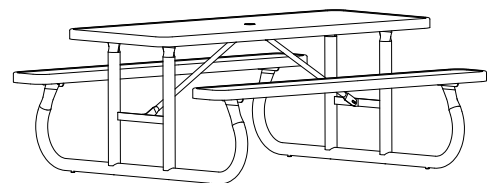
Repeat this step for the Seat on the other side of the Table.



9. Turn the table right side up and tighten all hardware while checking with a Level.

10. Move the assembled Table to the desired location.

11. Retighten hardware two weeks after initial assembly.



WARNING

- Furniture must not be used other than for its intended purpose and should be inspected regularly for loose, missing, or broken hardware, and general instability.
- Furniture that is damaged or appears to be unstable must be removed from service and be repaired or replaced.
- Repairs must be made using only factory authorized parts and methods.

CARE AND MAINTENANCE

- Do not drag the assembled unit across any surface.
- This product requires only periodic cleaning with a sponge and a solution of mild detergent and water to remove surface dirt. Do not clean with a solvent or petroleum based products.



211 North Lindbergh Blvd.
St. Louis, MO 63141

tel: 888.535.5005
web: anovafurnishings.com