



L1380AT — Rendezvous 55 Gallon Trash Receptacle with Bonnet Ash Top

55-gallon steel slat receptacle with bonnet ashtray top, plastic liner and rubber feet

Material

The 55-gallon receptacle is 46.72" tall and is composed of 12-gauge slotted steel with a .75" gap vertical slotted pattern. The bonnet ashtray top is made of 16-gauge spun steel and features a 9" diameter waste opening and 1.5" deep ashtray that comes with a supply of black beauty sand substitute. The top includes a 14" security strap and lifts off for easy trash removal.

The receptacle is designed to be portable for flexibility in placement or surface mounted using predrilled .38" diameter holes inside the base to prevent movement; optional corkscrew anchor also available. The rubber feet are adjustable to assist in leveling the receptacle. The reusable plastic liner is made of high-density polyethylene.

Finish

Steel slats are protected by the patented Fusion Advantage™ finish. The plastisol coating has an average thickness of .125" and is encapsulated with a richly tinted, high performance powder coating that won't rust, fade, peel, chip, crack, mold or mildew. The finish has been tested to the requirements of ASTM E1354 and determined to be in compliance with California Uniform Fire Code 1103.2.1.4.2.

Fade-resistant, powder coated steel top features a state-of-the-art primer proven to prevent rusting. Treated components exceed the industry standard by 34% in testing by independent sources.

Color

See website or sales representative for color choices.

Assembly

The receptacle ships fully assembled and ready for use. Using an optional corkscrew anchor may require some assembly.

Maintenance

The product is virtually maintenance-free and requires only periodic cleaning with a sponge and a solution of mild detergent and water to remove surface dirt. Do not clean with solvent or petroleum base products.

Warranty

20-year limited structural warranty with 7-year finish warranty from the date of purchase. See full details on multi-year warranties for components at www.anovafurnishings.com/warranty.aspx.



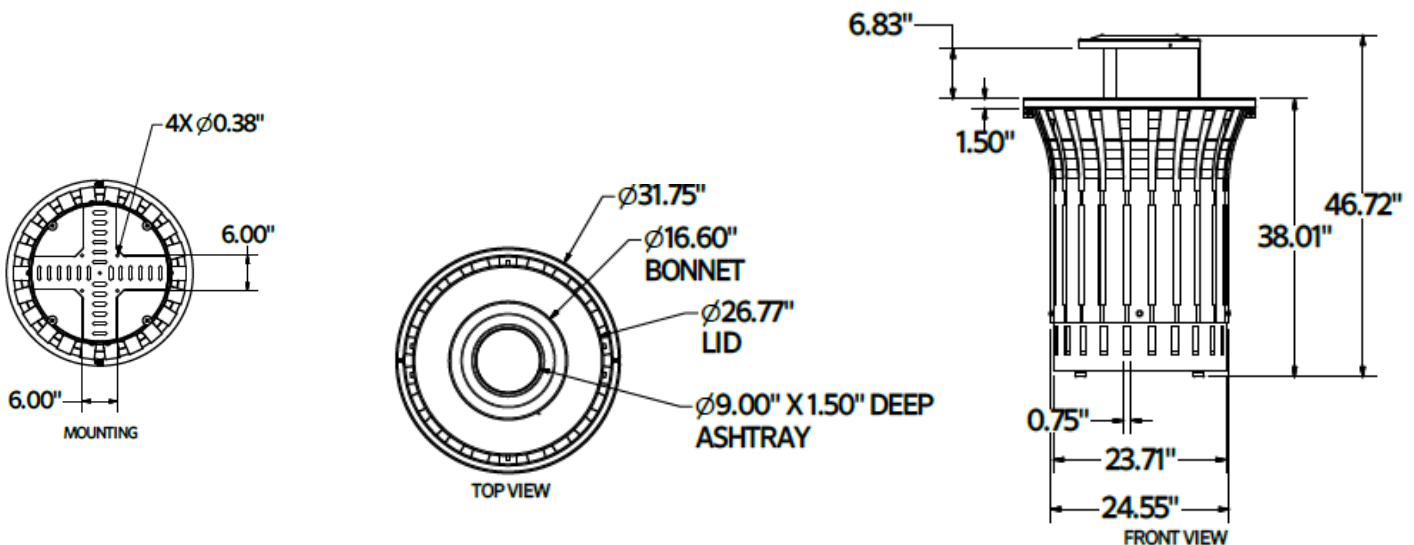
Replacement Parts

Black Plastic Liner R-DOM1013

Black Beauty Sand Substitute:
 5 lb bag SAND5
 10 lb bag SAND10
 25 lb bag SAND25
 50 lb bag SAND50

Accessories

Corkscrew Anchor A1020
 Ash Sifter SIFTER



SHIPPING INFORMATION

| Unit Weight | Unit Shipping Wt. UPS | Unit Shipping Wt. Truck (1+ Units) | Unit Ship Size w/Pallet | Max Units Per Pallet | Pallet Size/Wt. 48" x 32" | Total No. Pkgs. | Shipping Class |
|-------------|-----------------------|------------------------------------|-------------------------|----------------------|---------------------------|-----------------|----------------|
| 160 lbs. | N/A | 175 lbs./unit | 39 cu. ft. | 1 | 50 lbs. | 2 | 100 |