



L1385— Rendezvous Planter with Convex Top

Steel slat planter with convex top, plastic liner and rubber feet



Plants not included.

Material

The planter is 24.01" tall and is composed of 12-gauge slotted steel with a .75" gap vertical slotted pattern. The convex top is made of 16-gauge galvanized steel and features a 15" diameter opening for plants.

The planter is designed to be portable for flexibility in placement or surface mounted using predrilled holes inside the base to prevent movement; optional corkscrew anchor also available. The rubber feet are adjustable to assist in leveling the receptacle. The reusable plastic liner is made of high-density polyethylene.

Finish

Steel slats are protected by the patented Fusion Advantage™ finish. The plastisol coating has an average thickness of .125" and is encapsulated with a richly tinted, high performance powder coating that won't rust, fade, peel, chip, crack, mold or mildew. The finish has been tested to the requirements of ASTM E1354 and determined to be in compliance with California Uniform Fire Code 1103.2.1.4.2.

Fade-resistant, powder coated steel top features a state-of-the-art primer proven to prevent rusting. Treated components exceed the industry standard by 34% in testing by independent sources.

Color

See website or sales representative for color choices.

Assembly

The planter ships fully assembled and ready for use. Using an optional corkscrew anchor may require some assembly.

Maintenance

The product is virtually maintenance-free and requires only periodic cleaning with a sponge and a solution of mild detergent and water to remove surface dirt. Do not clean with solvent or petroleum base products.

Warranty

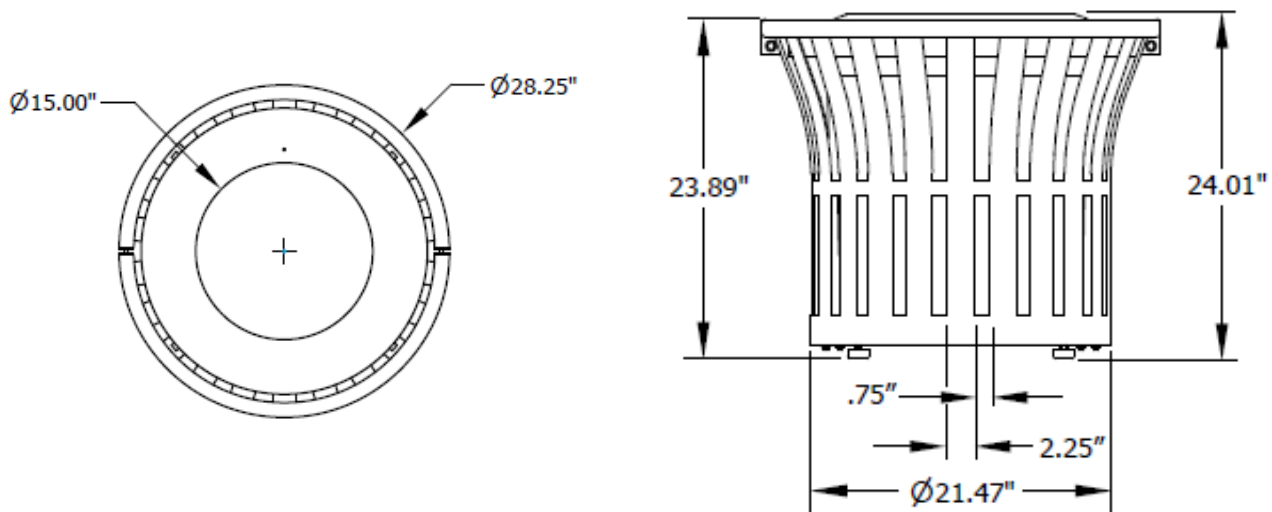
20-year limited structural warranty with 7-year finish warranty from the date of purchase. See full details on multi-year warranties for components at www.anovafurnishings.com/warranty.aspx.

Replacement Parts

Black Plastic Liner R-DOM3200
 Convex Top R-S65

Accessories

Corkscrew Anchor A1020



SHIPPING INFORMATION

Unit Weight	Unit Shipping Wt. UPS	Unit Shipping Wt. Truck (1+ Units)	Unit Ship Size w/Pallet	Max Units Per Pallet	Pallet Size/Wt. 48" x 32"	Total No. Pkgs.	Shipping Class
77 lbs.	N/A	87 lbs./unit	26 cu. ft.	1	50 lbs.	1	100