

211 North Lindbergh Blvd.
 St. Louis, MO 63141
 800.231.1327 tel. | 314.754.0835 fax
specify@anovafurnishings.com
 anovafurnishings.com

L2019A— Metrix Trash Receptacle with Dual Side Openings, Side Door and Ash Top

40-gallon steel slat trash receptacle with ashtray top, plastic liner, rubber feet and optional recycle decal (when specified)



Material

The receptacle is 43.60" tall and is composed of 10-gauge slotted steel with a .63" gap vertical slotted pattern. The side door features a full-length, heavy-duty steel hinge and a tamper-resistant cam lock and key system. The receptacle has two 7.25" high and 13.29" wide waste openings located on opposite sides of each other. The contour top is made of 16-gauge galvanized steel with a 10" diameter ashtray that includes 5 lbs. of black beauty sand substitute.

Optional decals are available. Choose "Bottles/Cans" with recycling logo, "Mixed Recycling" with recycling logo or "Trash" decal—custom decals also available. Specify black or white lettering. Decals will be factory installed and must be specified at the time of order.

The receptacle is designed to be portable for flexibility in placement or surface mounted using pre-drilled 0.32" diameter holes inside the base to prevent movement. Mounting hardware is not included. The rubber feet are adjustable to assist in leveling the receptacle. The reusable plastic liner is made of high-density polyethylene.

Finish

Fade-resistant, powder coated steel features a state-of-the-art primer proven to prevent rusting. Treated components exceed the industry standard by 34% in testing by independent sources.

Color

See website or sales representative for color choices.

Assembly

The receptacle ships fully assembled and ready for use.

Maintenance

The product is virtually maintenance-free and requires only periodic cleaning with a sponge and a mild detergent and water solution to remove surface dirt. Do not clean with solvent or petroleum base products.

Warranty

20-year limited structural warranty with 7-year finish warranty against fading from the date of purchase. See full details on multi-year warranties for components at www.anovafurnishings.com/warranty.aspx.

Replacement Parts

Black Plastic Liner R-DOM1012

Decals

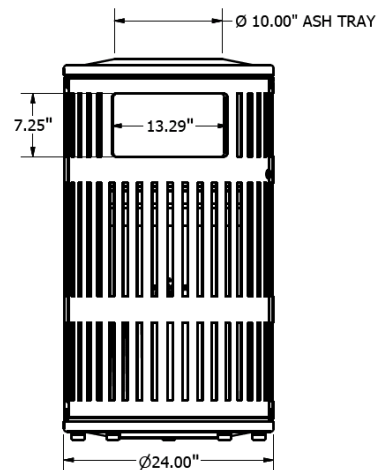
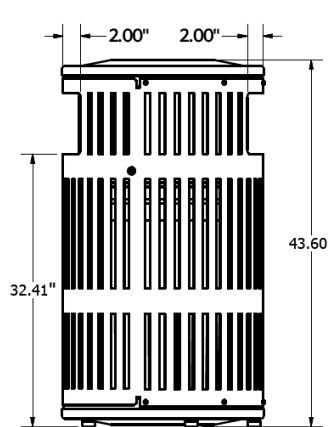
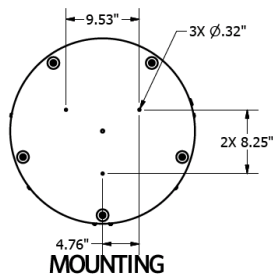
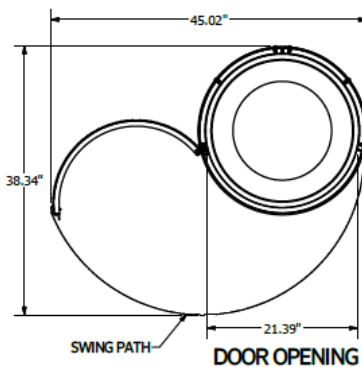
Trash w/Logo-White DEC2000
 Trash w/Logo-Black DEC2002
 Bottles/Cans w/Logo-White DEC2008
 Bottles/Cans w/Logo-Black DEC2010
 Mixed Recycling w/Logo-Whit DEC5000
 Mixed Recycling w/Logo-Blk DEC5002

Black Beauty Sand Replacement

5 lb. bag SAND5
 10 lb. bag SAND10
 25 lb. bag SAND25
 50 lb. bag SAND50

Accessories

Ash Sifter 5" Diameter SIFTER



SHIPPING INFORMATION

Unit Weight	Unit Shipping Wt. UPS	Unit Shipping Wt. Truck (1+ Units)	Unit Ship Size w/Pallet	Max Units Per Pallet	Pallet Size/Wt. (32" x 48")	Total No. Pkgs.	Shipping Class
131 lbs.	N/A	142 lbs./unit	39 cu. ft.	4	50 lbs.	1	100