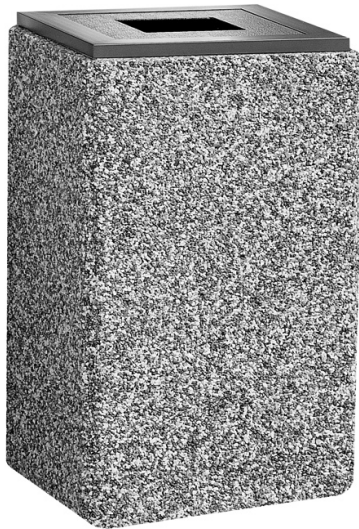




211 North Lindbergh Blvd.
 St. Louis, MO 63141
 888.535.5005 tel
 314.754.0835 fax
specify@anovafurnishings.com
anovafurnishings.com



**PCS48FT
 STRUCTURE RECEPTACLE**
 48-gallon cast aggregate receptacle
 with flat aluminum top and plastic
 liner

Replacement Parts

Black Plastic Liner **R-PCS48LNR**

Accessories

Hold Down Kit **PCSHLD**

Material

The 48-gallon receptacle is composed of 2" thick cast aggregate. The receptacle includes rubber feet and a non-rusting flat aluminum open top. The open aluminum top lifts off for easy waste disposal. The receptacle top also includes a 14" web security strap.

The reusable plastic liner is made of black high-density polyethylene.

The receptacle is designed to be portable, allowing for flexibility in placement.

Finish

The aggregate is cast in a durable epoxy resin that remains clear and bright throughout its life.

Color

See website or sales representative for color choices.

Assembly

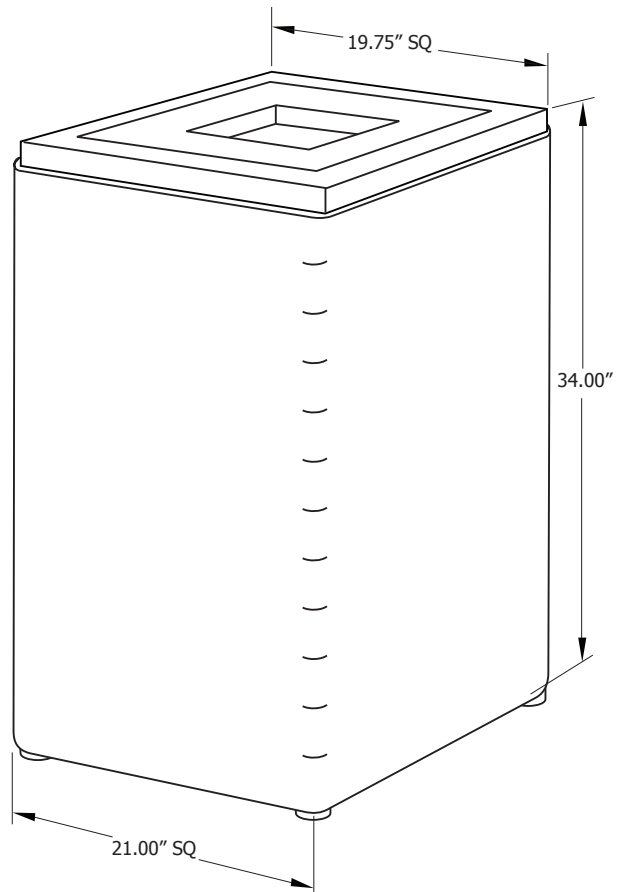
The receptacle arrives fully assembled for immediate use on site.

Maintenance

Maintenance-free. To clean, spray with a power washer.

Warranty

5-year limited structural warranty from the date of purchase. See full details on multi-year warranties for components at www.anovafurnishings.com/warranty.aspx.



Shipping Information

| Unit Wt. | Unit Shipping Wt. UPS | Unit Shipping Wt. Truck (1+ Units) | Unit Ship Size w/Pallet | Max Units per Pallet | Pallet Wt. (25" x 25") | Total No. Pkgs | Shipping Class |
|----------|-----------------------|------------------------------------|-------------------------|----------------------|------------------------|----------------|----------------|
| 297 lbs | N/A | 321 lbs/unit | 15 cu. ft. | 1 | 18 lbs | 1 | 70 |