



anovafurnishings.com  
888.535.5005 tel

## ASSEMBLY INSTRUCTIONS

**RCPMT4** – Madison Recycle Plastic Conversation Table

**LBMT4** – Madison Bamboo Conversation Table

**THMT4** – Madison Thermory Conversation Table



Recycled Plastic

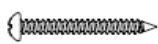


Thermory

### TOOLS NEEDED:

- 1/2" Open-end or Box-end Wrench
- Ratchet with 1/2" Socket
- 18 Volt (or higher) Drill with Phillips Bit and extension

### ASSEMBLY HARDWARE:



120 x  
No. 12 x 1.5"



8 x  
5/16"

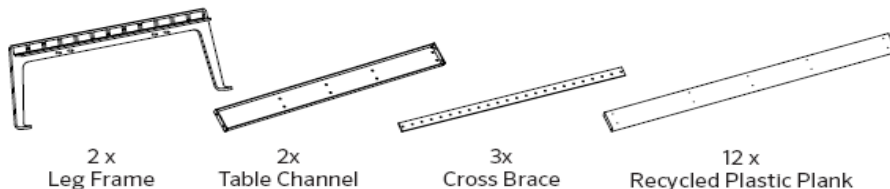


8 x  
5/16"

Phillips Head Screw Flange Nut Flat Washer

NOTE: Additional hardware not needed for this assembly may be included.

### BENCH COMPONENTS:



2 x  
Leg Frame

2 x  
Table Channel

3 x  
Cross Brace

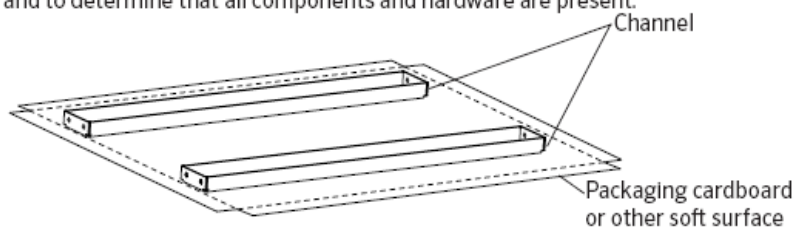
12 x  
Recycled Plastic Plank

### ASSEMBLY:

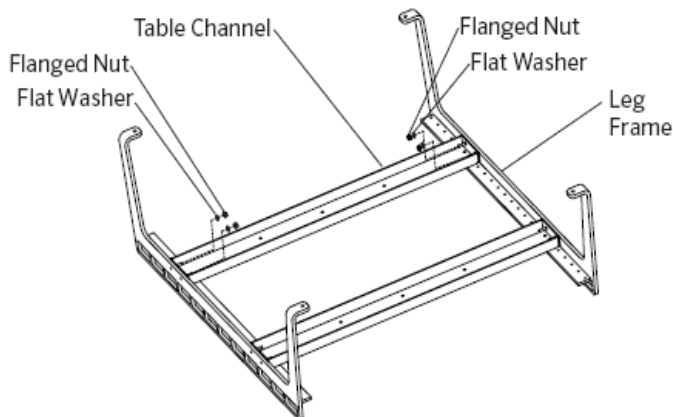
The assembly is a two-person operation.

1. Inspect the shipping container contents for damage and to determine that all components and hardware are present.

2. Locate the two formed steel Table Channels and place them on the packaging cardboard or other soft work space to avoid scratching the product. Arrange them parallel to each other about 2 ft. apart, with the open side up.

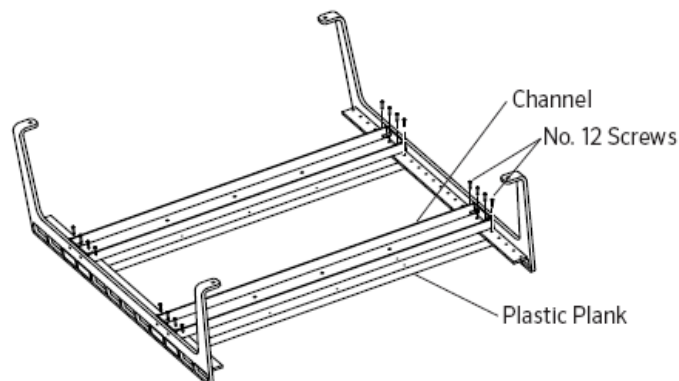


3. Position the two Leg Frames at the ends of the Table Channels so that the threaded studs in the Leg Frames align with the mounting holes in the ends of the Channels.

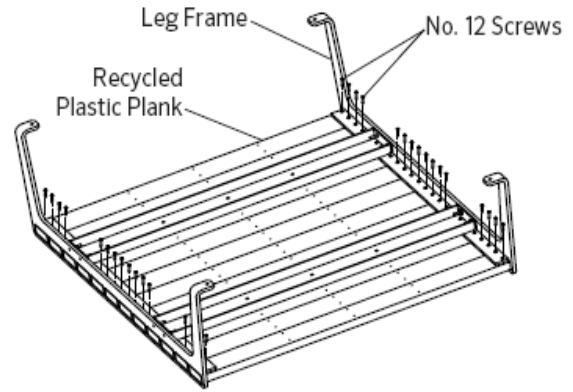


4. After assembling the Leg Frames to the Channels, fasten them by installing a Flat Washer and Flanged Nut to each of the threaded studs. Leave the hardware loose enough so the Leg Frames can be adjusted while assembling the Plastic Planks.

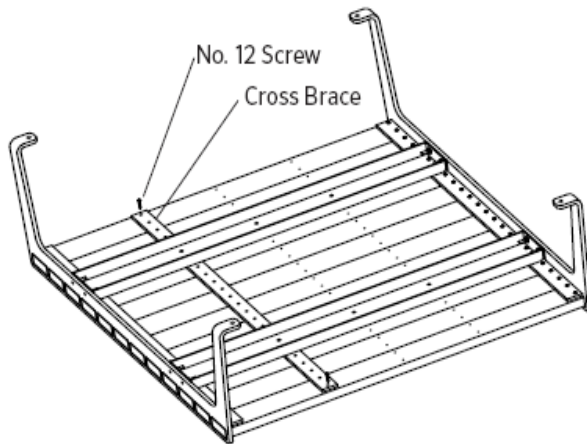
5. The Plastic Planks that are installed underneath the Channels may be the most difficult to position, so these Planks should be installed first. Align the predrilled holes in the ends of the Planks with the mounting holes through the Channels and Leg Frames. Install No. 12 Screws through the Channel and Leg Frame and into the matching predrilled holes in the Plank ends. Don't drive the screw all the way in, leave it loose so there can be some adjustments made as other planks are installed.



6. The remainder of the Plastic Planks can be assembled in any order and fastened to the Leg Frame with No. 12 Screws as they are assembled. Again, leave the screws loose so adjustments can be made during assembly.

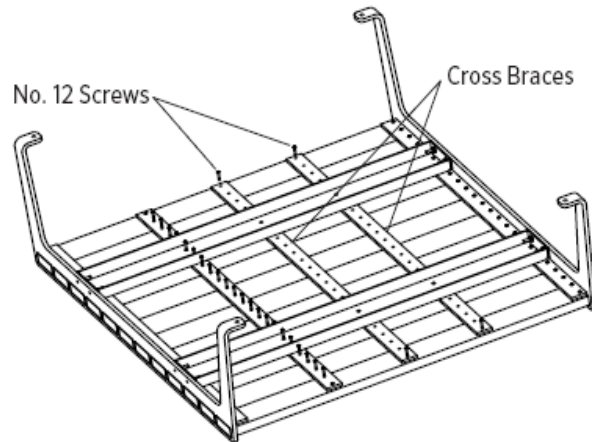


7. Locate one of the Cross Braces. Slide the Cross Brace underneath the two Channels and align the mounting holes in the Cross Brace with a row of predrilled holes in the Plastic Planks. Secure the Cross Brace in place by installing a No. 12 Screw Through each of the end holes in the Cross Brace and into the predrilled hole in the Plastic Plank.



8. Position and secure each of the other two Cross Braces in the same manner, then install the remaining No. 12 screws through each of the holes in the Cross Braces and into the predrilled holes in the Planks.

9. Tighten all the No. 12 Screws.



10. Tighten the Flanged Nuts that fasten the Channels to the Leg Frames.

11. Turn the Table upright and move the assembled Table to the desired location.

12. Retighten the hardware two weeks after initial assembly.



- Furniture must not be used other than for its intended purpose and should be inspected regularly for loose, missing, or broken hardware, and general instability.
- Furniture that is damaged or appears to be unstable must be removed from service and be repaired or replaced.
- Repairs must be made using only factory authorized parts and methods.

**CARE AND MAINTENANCE**

- Do not drag the assembled unit across any surface.
- This product requires only periodic cleaning with a sponge and a solution of mild detergent and water to remove surface dirt. Do not clean with a solvent or petroleum based products.