

211 North Lindbergh Blvd.  
 St. Louis, MO 63141  
 800.231.1327 tel. | 314.754.0835 fax  
[specify@anovafurnishings.com](mailto:specify@anovafurnishings.com)  
[anovafurnishings.com](http://anovafurnishings.com)

## THMT4 — Madison Thermory® Conversation Table

4' table with Thermory table planks and steel frame and legs

### Material

The 4' table is composed of .50" thick formed steel frame and legs with 1.5" x 3.5" (2" x 4" nominal dimensions) Thermory planks for the table top. The table is 48.25" wide and will support 100 lbs. per square foot.

The table is designed to be portable for flexibility in placement or surface mounted using pre-drilled .50" diameter holes in feet to prevent movement. Mounting hardware is not included.

Low-maintenance Thermory is made from thermally-modified North American White Ash—a sustainably-harvested and renewable temperate hardwood. It is an environmentally-friendly hardwood and a great alternative to commonly used tropical rainforest hardwoods because of its dimensional stability and Class 1 durability (25+ years). Thermory has a lower carbon footprint than tropical hardwoods.

### Finish

Fade-resistant, powder coated steel components feature a state-of-the-art primer proven to prevent rusting. Treated components exceed the industry standard by 34% in testing by independent sources.

Thermory is a lustrous chocolate brown color when new and will naturally age to uniform silver/gray over time. The color-changing process begins immediately and varies with the amount of UV-exposure.

### Color

See website or sales representative for color choices.

### Assembly

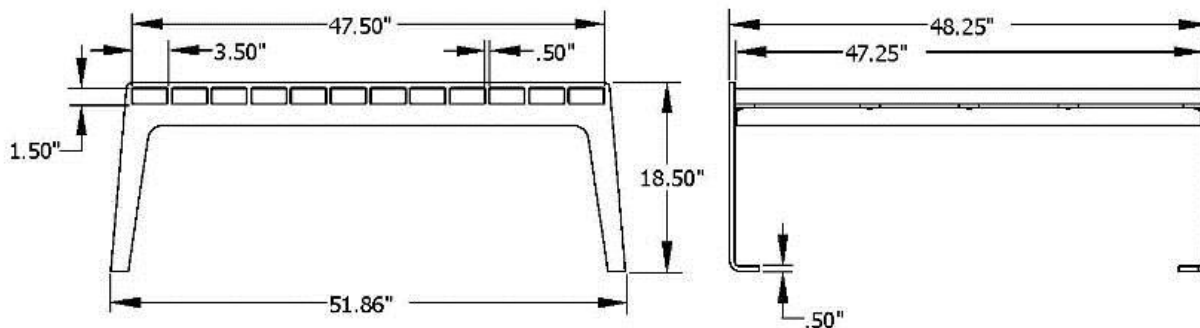
Some assembly is required. Stainless steel assembly hardware is included.

### Maintenance

Clean with mild soap and water. Let dry thoroughly. To maintain original color, regularly apply standard deck oil, such as Cutek® Extreme Wood Protection Oil.

### Warranty

10-year limited structural warranty from the date of purchase. See full details on multi-year warranties for components at [www.anovafurnishings.com/warranty.aspx](http://www.anovafurnishings.com/warranty.aspx).



## SHIPPING INFORMATION

Unit Weight	Unit Shipping Wt. UPS	Unit Shipping Wt. Truck (1+ Units)	Unit Ship Size w/Pallet	Max Units Per Pallet	Pallet Size/Wt. (40" x 48")	Total No. Pkgs.	Shipping Class
217 lbs.	N/A	227 lbs./unit	10 cu. ft.	5	100 lbs.	6	70