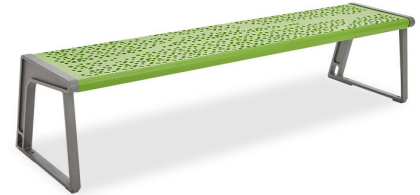




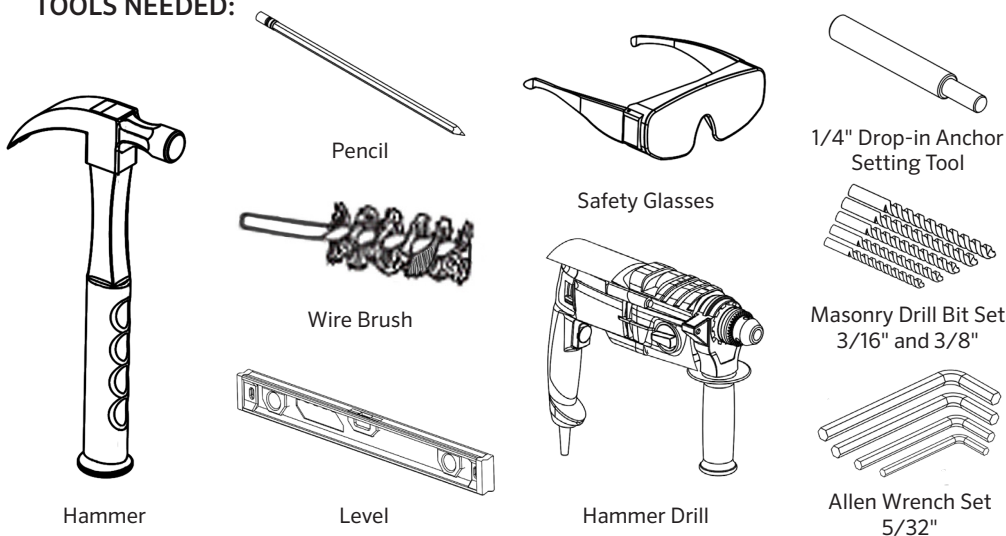
anovafurnishings.com
888.535.5005 tel

Installation Instructions

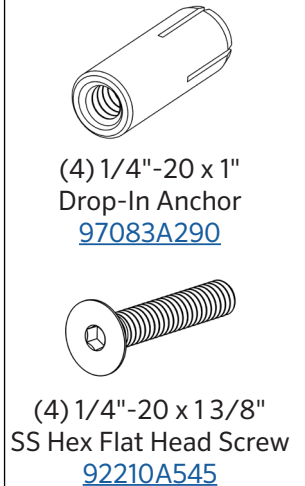
Airi Benches



TOOLS NEEDED:



HARDWARE NEEDED:

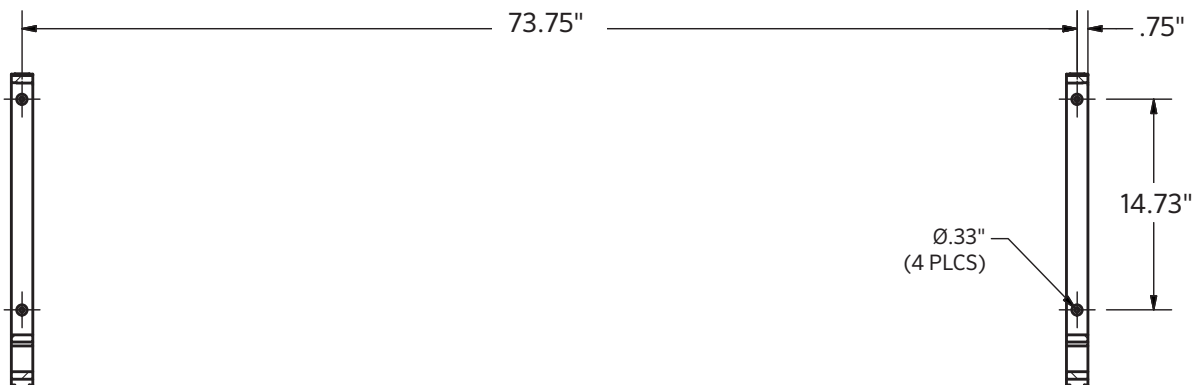


Step-by-Step Installation Sequence

Product requires assembly before installation.

Examine the footing or slab for damage or defects. The footing or slab should be reinforced concrete rated at a 3,000 psi minimum and be cured for at least 28 days prior to the installation of the bench.

CAUTION: Oversized holes and holes drilled too deep in the concrete will make it difficult to set the anchor.





FOOT MOUNT

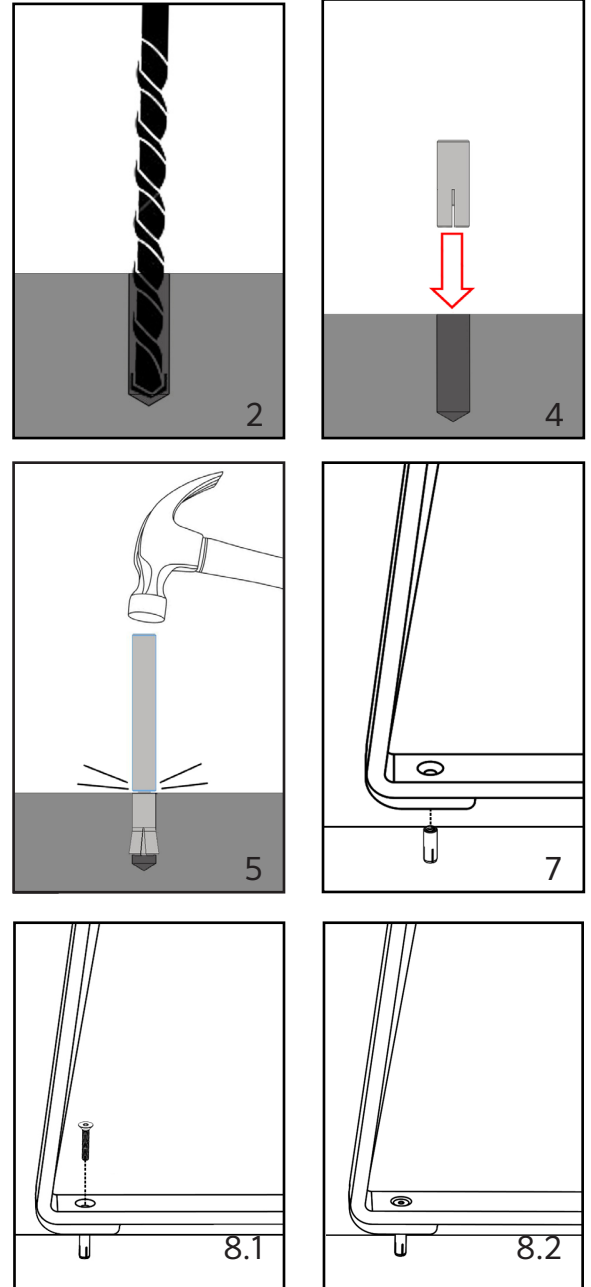


Installation Instructions

Airi Benches

Step-by-Step Installation Sequence

1. Place the bench in the desired location. Mark the location of the holes with a pencil. To verify the alignment of the anchor markings you may reference page 1.
2.  It is recommended that you start holes in sequential order from the smaller to the larger drill bits to avoid oversized holes or holes drilled too deep. Begin with 3/16" diameter drill bit followed by the 3/8" diameter bit.
3. Evacuate debris from mounting holes using compressed air and a steel wire brush. This will create a clean environment for the anchor system.
4. Insert one 1/4"-20 x 1" drop-in anchor into the hole and use a hammer to tap the anchor flush with the concrete.
5. Use a 1/4" drop-in anchor setting tool and hammer to fix the anchor into the drilled hole by inserting the narrow end of the tool into the anchor and giving it several hammer blows.
6. Repeat steps 3 - 6 until all anchors are installed.
7. Align the mounting holes of the bench over top of the anchors.
8.  Care should be given to avoid rubbing the powder coating off the foot. Mount the bench to the anchors by fastening a hex head screw into each anchor. Leave the hardware finger tight until all of them have been installed. Verify that the bench is level before tightening the anchors. Tighten the screws with a 5/32" Allen wrench.



Note: Please contact Customer Care at 1-866-797-1761 when ordering replacement parts.



- Furniture must not be used other than for its intended purposed and should be inspected regularly for loose, missing, or broken hardware, and general instability.
- Furniture that is damaged or appears to be unstable must be removed from service and be repaired or replaced.
- Repairs must be made using only factory authorized parts and methods.

CARE AND MAINTENANCE

- Do not drag the assembled unit across any surface.
- This product requires only periodic cleaning with a sponge and a solution of mild detergent and water to remove surface dirt. Do not clean with a solvent or petroleum based products.