



211 North Lindbergh Blvd.  
 St. Louis, MO 63141  
 800.231.1327 tel. | 314.754.0835 fax  
[specify@anovafurnishings.com](mailto:specify@anovafurnishings.com)  
 anovafurnishings.com

**AL1980P— Allure Access 6' Contour Bench**

**6' contour bench with steel slat seat and cast aluminum surface mount legs**

**Material**

The 6' contour bench is composed of a 12-gauge steel slat seat with a "piano key" pattern, cast aluminum legs and steel under supports. The bench seat is 72" long and will support 200 lbs. per linear foot.

The bench feet have predrilled .4" diameter holes for surface mounting to prevent movement.

**Surface mounting is required;** mounting hardware is not included.

**Finish**

Steel slat seat is protected by the patented Fusion Advantage™ finish. The plastisol coating has an average thickness of .125" and is encapsulated with a richly tinted, high performance powder coating that won't rust, fade, peel, chip, crack, mold or mildew. The finish has been tested to the requirements of ASTM E1354 and determined to be in compliance with California Uniform Fire Code 1103.2.1.4.2.

Fade-resistant, powder coated legs and under supports feature a state-of-the-art primer proven to prevent rusting. Treated components exceed the industry standard by 34% in testing by independent sources.

**Color**

See website or sales representative for color choices.

**Assembly**

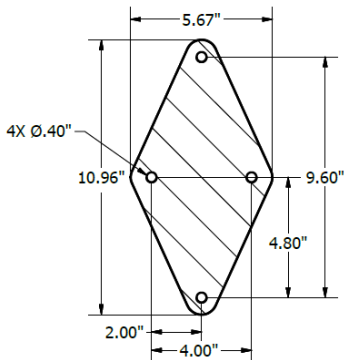
The bench requires some assembly. Stainless steel assembly hardware is included.

**Maintenance**

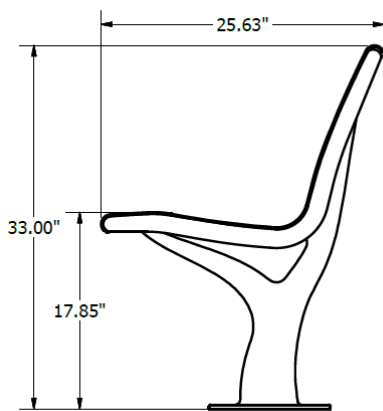
The product is virtually maintenance-free and requires only periodic cleaning with a sponge and a solution of mild detergent and water to remove surface dirt. Do not clean with solvent or petroleum base products.

**Warranty**

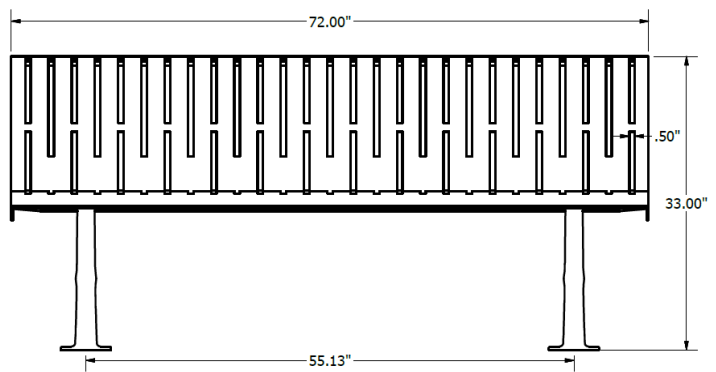
20-year limited structural warranty with 7-year finish warranty from the date of purchase. See full details on multi-year warranties for components at [www.anovafurnishings.com/warranty.aspx](http://www.anovafurnishings.com/warranty.aspx).



**FOOT MOUNT**



**SIDE VIEW**



**FRONT VIEW**

**SHIPPING INFORMATION**

Unit Weight	Unit Shipping Wt. UPS	Unit Shipping Wt. Truck (1+ Units)	Unit Ship Size w/Pallet	Max Units Per Pallet	Pallet Size/Wt. (32" x 74")	Total No. Pkgs.	Shipping Class
169 lbs.	N/A	190 lbs./unit	37 cu. ft.	2	100 lbs.	2	100