



ASSEMBLY INSTRUCTIONS

Allure Access

AL1980P – Allure Access 6' Contour Bench

anovafurnishings.com
888.535.5005 tel

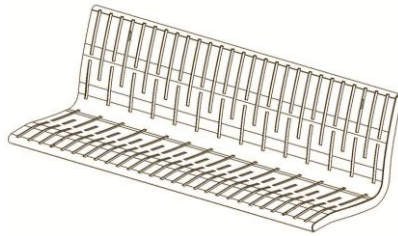
TOOLS NEEDED:

- 3/16" Allen wrench



Allure Access Contour Bench

BENCH COMPONENTS:



(1) Contour Seat



(2) Seat Supports

ASSEMBLY HARDWARE: All hardware is stainless steel.



(8) 5/16"-18 x 3/4"
Flat Head Socket Cap Screws

ASSEMBLY:

The assembly is a two-person operation.

1. Inspect the shipping container contents for damage and to determine that all components and hardware are present.
2. Assemble the table over the shipping packaging or padded work area to avoid scratching the product.

NOTE: Before proceeding to the assembly of this product, it is recommended that a light oil or petroleum jelly be applied to the screw threads.

3. Locate the seat supports and the contour seat and place them on the work surface.

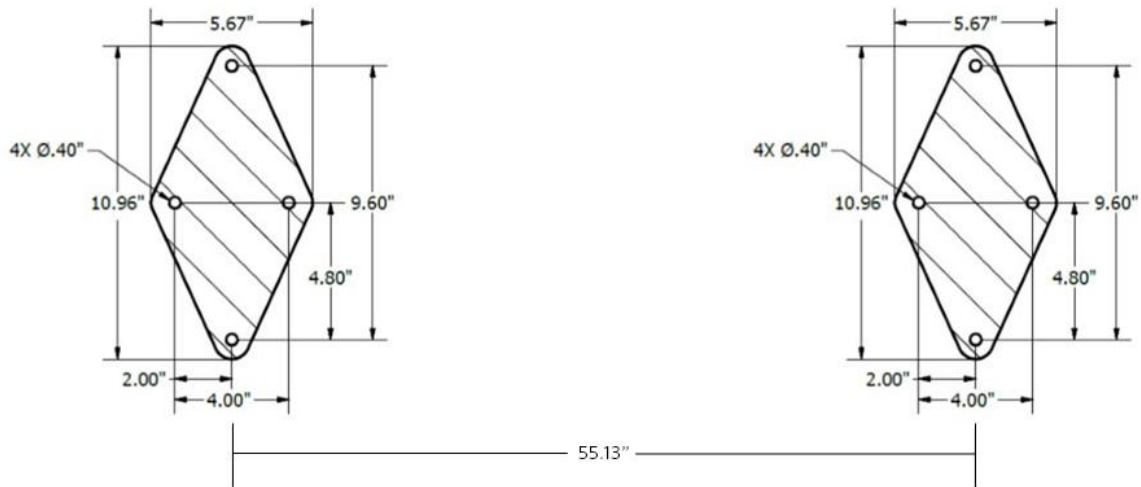
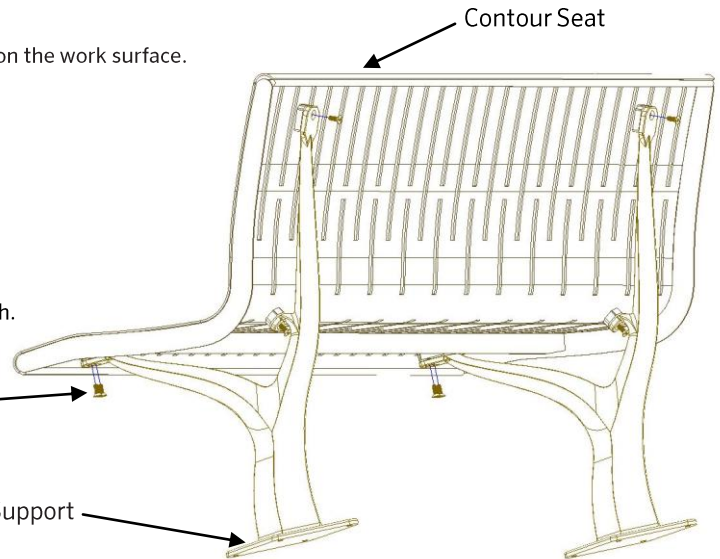
4. Mount the contour seat to the seat support by inserting four 5/16"-18 x 3/4" flat head socket cap screws through the mounting holes.

Repeat this step for the opposite side.

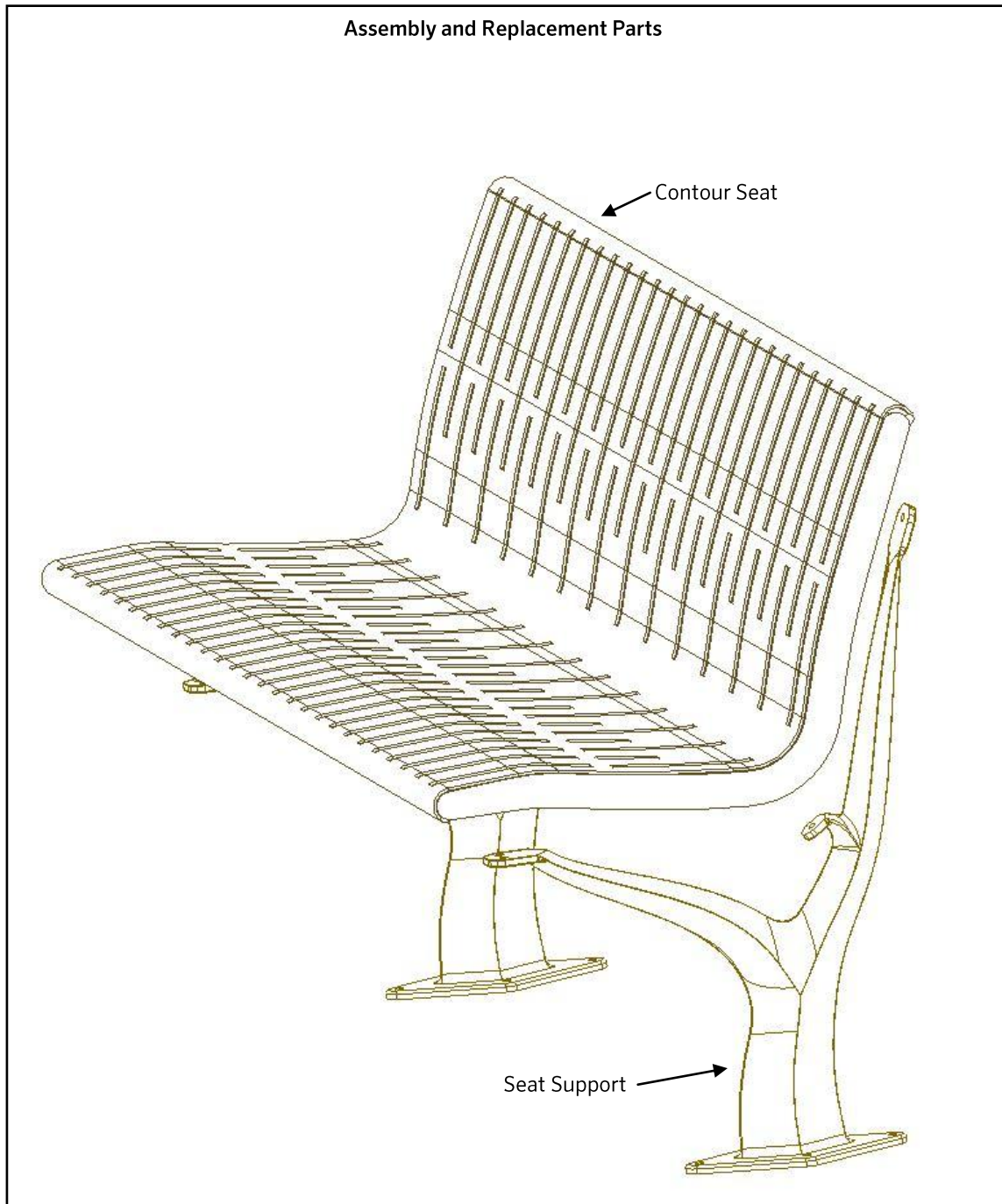
After all hardware is installed, tighten with a 3/16" Allen wrench.

5/16" - 18 x 3/4"
Flat Head Socket
Cap Screw

Seat Support



Assembly and Replacement Parts



NOTE: Please contact Customer Care at 1-866-797-1761 to receive assistance in placing a replacement part order.



WARNING

- Furniture must not be used other than for its intended purpose and should be inspected regularly for loose, missing, or broken hardware, and general instability.
- Furniture that is damaged or appears to be unstable must be removed from service and be repaired or replaced.
- Repairs must be made using only factory authorized parts and methods.

CARE AND MAINTENANCE

- Do not drag the assembled unit across any surface.
- This product requires only periodic cleaning with a sponge and a solution of mild detergent and water to remove surface dirt. Do not clean with a solvent or petroleum based products.