



211 North Lindbergh Blvd.  
 St. Louis, MO 63141  
 800.231.1327 tel. | 314.754.0835 fax  
[specify@anovafurnishings.com](mailto:specify@anovafurnishings.com)  
[anovafurnishings.com](http://anovafurnishings.com)

## AL1990R — Allure Recycled Plastic 6' Flat Bench

6' flat bench with recycled plastic and aluminum planks and cast aluminum legs

### Material

The 6' flat bench is composed of 1" x 2" recycled plastic seat planks, aluminum accent planks, cast aluminum legs and steel under supports. The bench is 72.50" long and will support 200 lbs per linear foot.

The bench feet have predrilled .4" diameter holes for surface mounting to prevent movement.

**Surface mounting is required;** mounting hardware is not included.

The planks are made of 95% recycled content by weight and are impervious to moisture and corrosion, do not require the application of sealants or preservatives, and will never need painting or staining throughout the product's life.

### Finish

Fade-resistant, powder coated steel and aluminum components feature a state-of-the-art primer proven to prevent rusting. Treated components exceed the industry standard by 34% in testing by independent sources.

### Color

See website or sales representative for color choices.

### Assembly

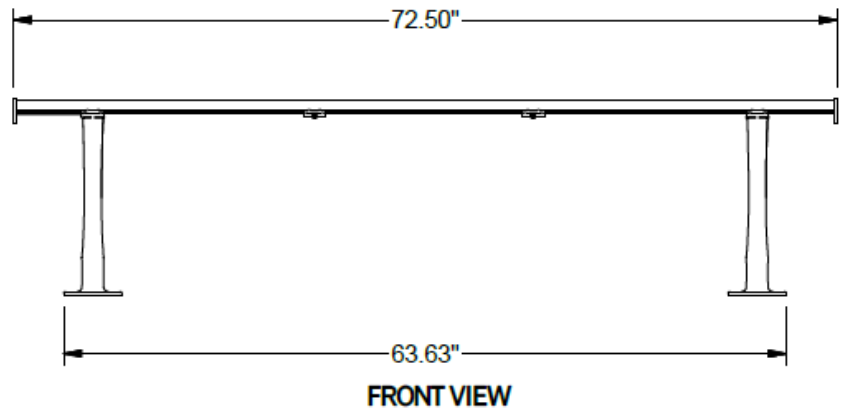
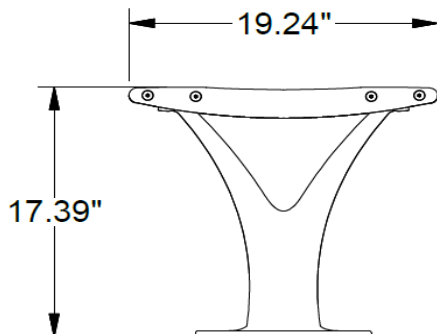
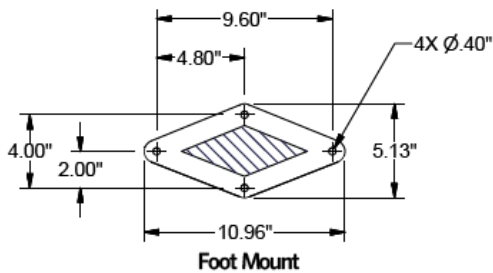
The bench ships fully assembled and ready for use. Assembly includes stainless steel hardware.

### Maintenance

The product is virtually maintenance-free and requires only periodic cleaning with a sponge and a solution of mild detergent and water to remove surface dirt. Do not clean with solvent or petroleum base products.

### Warranty

20-year limited structural warranty on recycled plastic from the date of purchase. See full details on multi-year warranties for components at [www.anovafurnishings.com/warranty.aspx](http://www.anovafurnishings.com/warranty.aspx).



## SHIPPING INFORMATION

Unit Weight	Unit Shipping Wt. UPS	Unit Shipping Wt. Truck (1+ Units)	Unit Ship Size w/Pallet	Max Units Per Pallet	Pallet Size/Wt. (32" x 74")	Total No. Pkgs.	Shipping Class
66 lbs.	N/A	73 lbs./unit	32 cu. ft.	1	100 lbs.	1	150