

F3020—Victory 6' Flat Bench, Traditional Edge, Portable

6' flat bench with expanded steel, traditional edge seat and portable frame

Material

The 6' flat bench is composed of a 3/4 #9 expanded steel seat with a diamond pattern and features a traditional edge. The bench seat is 72.25" long and will support 200 lbs. per linear foot.

The bench legs are made of 2.38" O.D. steel tubing and designed to be portable for flexibility in placement.

Finish

Steel seat is protected by the patented Fusion Advantage™ finish. The plastisol coating has an average thickness of .125" and is encapsulated with a richly tinted, high performance powder coating that won't rust, fade, peel, chip, crack, mold or mildew. The finish has been tested to the requirements of ASTM E1354 and determined to be compliant with California Uniform Fire Code 1103.2.1.4.2.

Fade-resistant, powder coated legs and under supports feature a state-of-the-art primer proven to prevent rusting. Treated components exceed the industry standard by 34% in testing by independent sources.

Color

See website or sales representative for color choices.

Assembly

Some assembly is required. Stainless steel assembly hardware is included.

Maintenance

The product is virtually maintenance-free and requires only periodic cleaning with a sponge and a solution of mild detergent and water to remove surface dirt. Do not clean with solvent or petroleum base products.

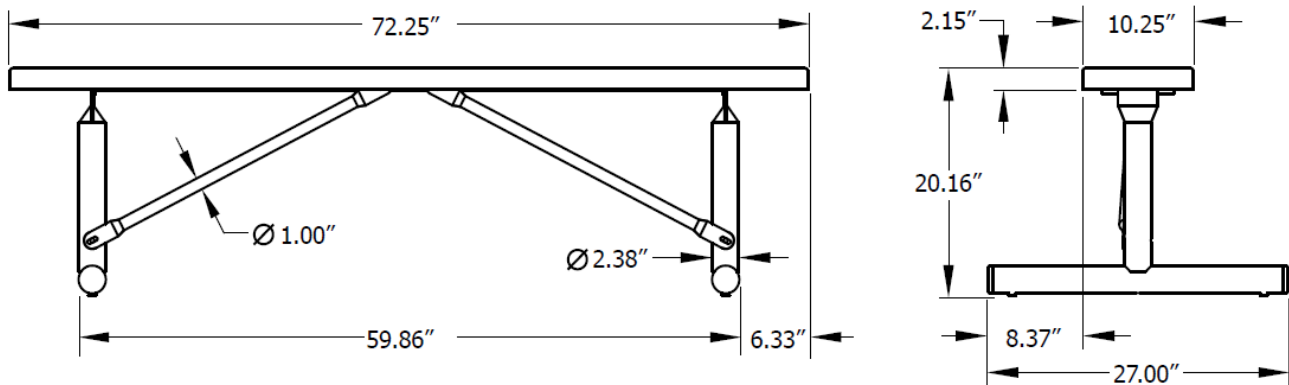
Warranty

20-year limited structural warranty with 7-year finish warranty from the date of purchase. See full details on multi-year warranties for components at www.anovafurnishings.com/warranty.aspx.



Accessories

One-Hole Hold Down Kit A2375
 Two-Hole Hold Down Kit A2376



SHIPPING INFORMATION

Unit Weight	Unit Shipping Wt. UPS	Unit Shipping Wt. Truck (1+ Unit)	Unit Ship Size w/Pallet	Max Units Per Pallet	Pallet Size/Wt. (74" x 32")	Total No. Pkgs.	Shipping Class
63 lbs.	N/A	67 lbs./unit	15 cu. ft.	10	100 lbs.	2	70