

211 North Lindbergh Blvd.
 St. Louis, MO 63141
 800.231.1327 tel. | 314.754.0835 fax
specify@anovafurnishings.com
 anovafurnishings.com

L1382BT — Rendezvous 69 Gallon Triple Recycler with Bonnet Top

69-gallon steel slat recycler with bonnet top, three plastic liners and rubber feet

Material

The 69-gallon triple stream recycler is 39.98" tall and is composed of 12-gauge slotted steel with a .75" gap vertical slotted pattern. The recycler top is made of 16-gauge steel and features three openings: 2" x 9" slot opening for paper, 5" diameter opening for bottles and cans and 9" diameter opening for trash, plus a bonnet top to keep the elements out. Tops have factory-applied "Paper", "Bottles/Cans" and "Trash" decals with recycle logo. Specify black or white lettering.

The receptacle is designed to be portable for flexibility in placement or surface mounted using predrilled holes inside the base to prevent movement. Mounting hardware is not included. The rubber feet are adjustable to assist in leveling the receptacle. The recycler includes three reusable plastic liners: two 16-gallon liners (one on each end) for recycling and one 37-gallon center liner for trash. Liners are made of high-density polyethylene.

Finish

Steel slats are protected by the patented Fusion Advantage™ finish. The plastisol coating has an average thickness of .125" and is encapsulated with a richly tinted, high performance powder coating that won't rust, fade, peel, chip, crack, mold or mildew. The finish has been tested to the requirements of ASTM E1354 and determined to be in compliance with California Uniform Fire Code 1103.2.1.4.2.

Fade-resistant, powder coated steel top features a state-of-the-art primer proven to prevent rusting. Treated components exceed the industry standard by 34% in testing by independent sources.

Color

See website or sales representative for color choices.

Assembly

The receptacle ships fully assembled and ready for use.

Maintenance

The product is virtually maintenance-free and requires only periodic cleaning with a sponge and a solution of mild detergent and water to remove surface dirt. Do not clean with solvent or petroleum base products.

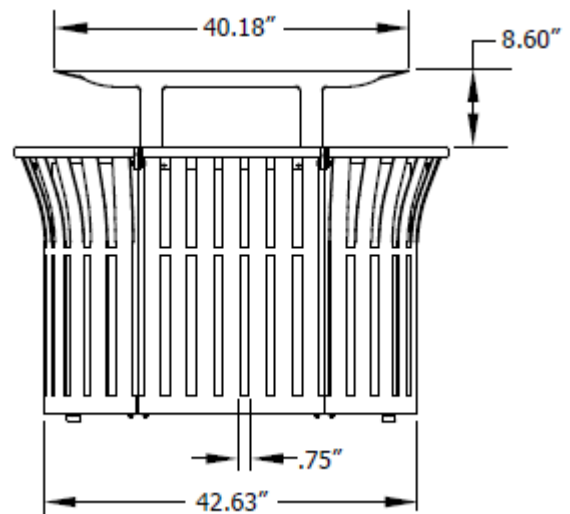
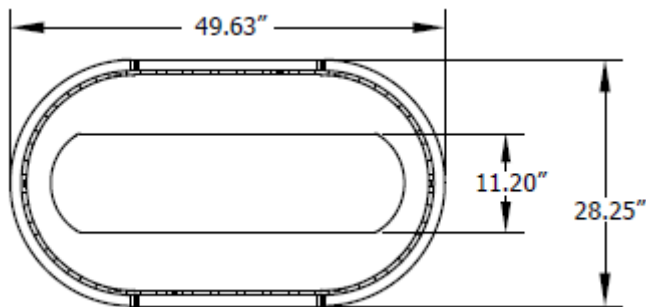
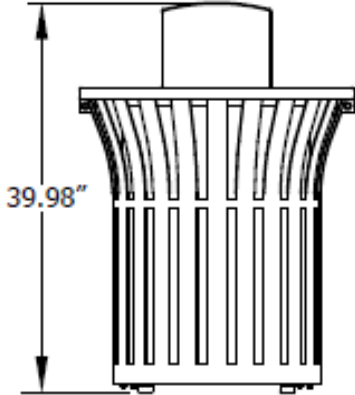
Warranty

20-year limited structural warranty with 7-year finish warranty from the date of purchase. See full details on multi-year warranties for components at www.anovafurnishings.com/warranty.aspx.



Replacement Parts

Half Round Black Plastic Liner R-DOM1029
 Square Black Plastic Liner R-724



SHIPPING INFORMATION

Unit Weight	Unit Shipping Wt. UPS	Unit Shipping Wt. Truck (1+ Units)	Unit Ship Size w/Pallet	Max Units Per Pallet	Pallet Size/Wt. (48" x 32")	Total No. Pkgs.	Shipping Class
171 lbs.	N/A	186 lbs./unit	35 cu. ft.	1	50 lbs.	1	100