



anovafurnishings.com
888.535.5005 tel

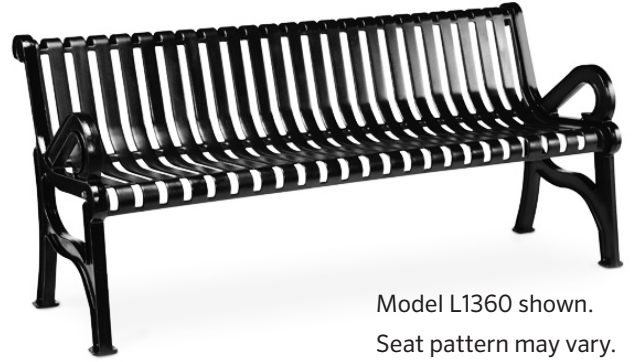
ASSEMBLY INSTRUCTIONS

L1360 6 ft Rendezvous Bench

L1361 4 ft Rendezvous Bench

L1504 4 ft Horizon Bench

L1506 6 ft Horizon Bench

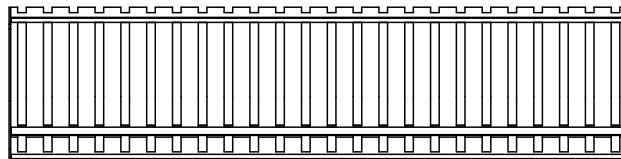


Model L1360 shown.
Seat pattern may vary.

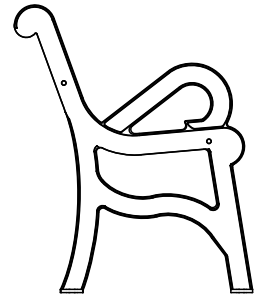
TOOLS NEEDED:

- 9/16" Open-end or Box-end Wrench
- Ratchet with 9/16" Socket
- #4 Phillips Screwdriver
- Level

BENCH COMPONENTS:



1 x Contour Bench Seat



2 x Bench Ends

ASSEMBLY HARDWARE:

NOTE: Hardware arrives in two packages; one with each Bench End.



4 x
3/8" X 1.5"

Phillips Head Screw



4 x
3/8"

Flanged Hex Nut



4 x
3/8"

Washer

ASSEMBLY:

The assembly is a two-person operation.

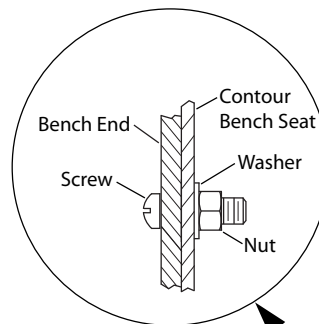
1. Inspect the shipping container contents for damage and to determine that all components and hardware are present.
2. Place the Contour Bench Seat on the shipping packaging or other soft surface to avoid scratching the product.

Note: Before assembling the Nuts to the Screws, it is recommended that a light oil or petroleum jelly be applied to the screw threads

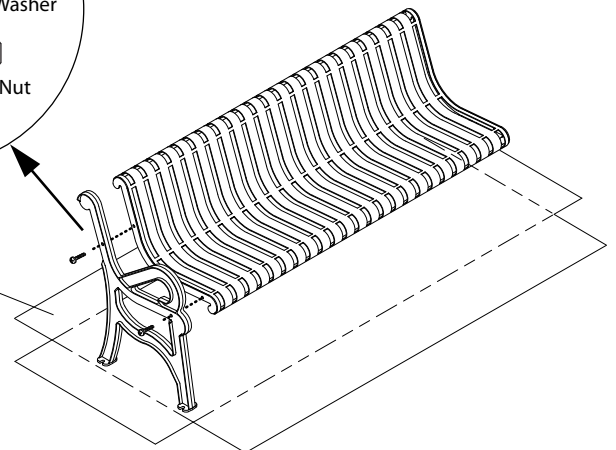
3. Align the mounting holes in one of the Bench Ends with the holes in the appropriate end of the Bench Seat. Insert one of the provided Screws through both parts, with the screw head on the outside surface of the Bench End. Install a Washer and Nut on the inside end of the Screw.

Note: Always hold the screw head still and turn the Nut. This protects the surface of the Bench around the Screw from scratches (the Washer protects the nut side of the Bench)

Leave the hardware finger tight so that adjustments can be made to level the bench seat.

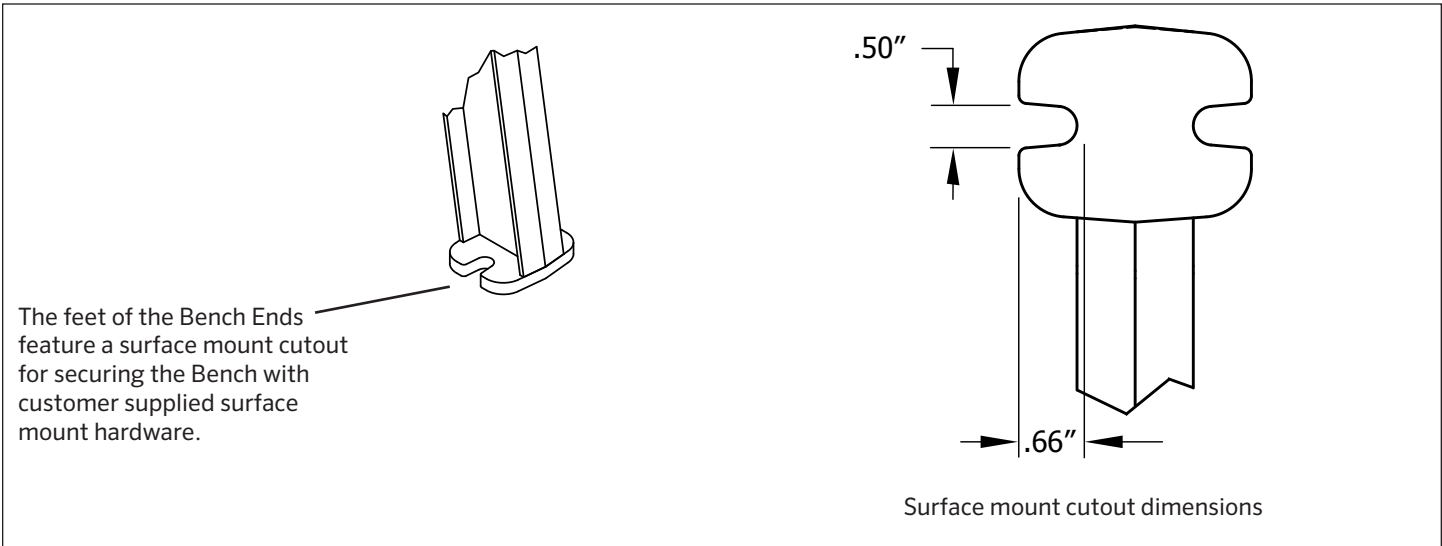
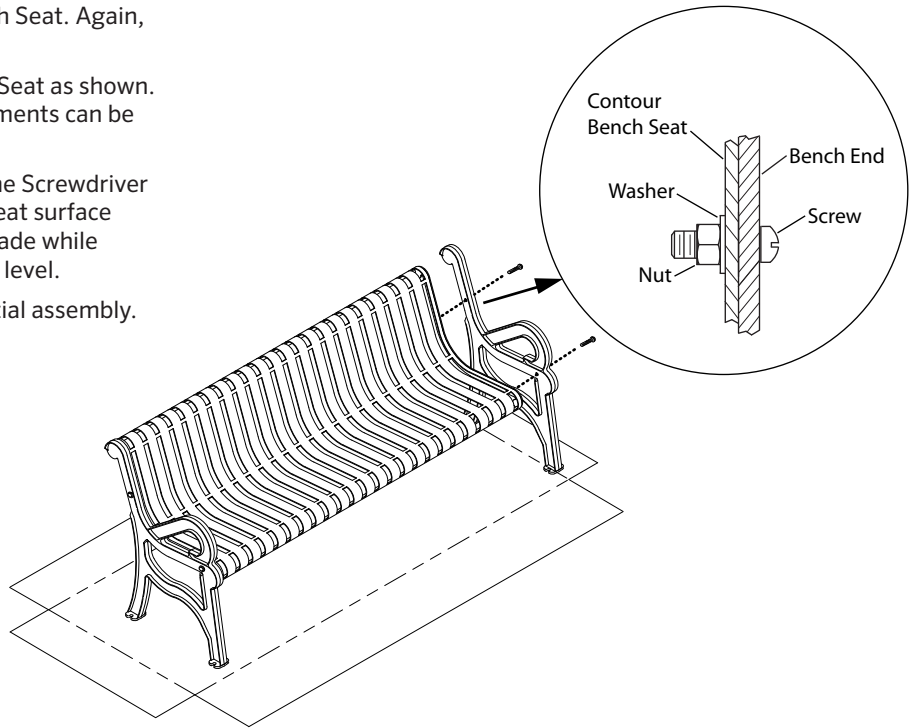


Packaging plastic and cardboard to avoid scratching the product



Install a Screw, Washer, and Nut through the other set of mounting holes in that end of the Bench Seat. Again, leave the hardware finger tight.

4. Attach the other Bench End to the Bench Seat as shown. Leave the hardware finger tight so adjustments can be made to level the Bench Seat.
5. Tighten the Bench Seat hardware using the Screwdriver and Ratchet Wrench while checking the seat surface with a Level; minor adjustments can be made while tightening the hardware to make the seat level.
6. Retighten all hardware two weeks after initial assembly.



 WARNING	<ul style="list-style-type: none"> Furniture must not be used other than for its intended purpose and should be inspected regularly for loose, missing, or broken hardware, and general instability. Furniture that is damaged or appears to be unstable must be removed from service and be repaired or replaced. Repairs must be made using only factory authorized parts and methods.
--------------------	---

CARE AND MAINTENANCE	<ul style="list-style-type: none"> Do not drag the assembled unit across any surface. This product requires only periodic cleaning with a sponge and a solution of mild detergent and water to remove surface dirt. Do not clean with a solvent or petroleum based products.
-----------------------------	--



211 North Lindbergh Blvd.
St. Louis, MO 63141

tel: 888.535.5005
web: anovafurnishings.com