

211 North Lindbergh Blvd.
 St. Louis, MO 63141
 800.231.1327 tel. | 314.754.0835 fax
specify@anovafurnishings.com
 anovafurnishings.com

L2020— Metrix Recycler with Dual Side Openings and Side Door

40-gallon steel slat recycler with contour top, plastic liner, rubber feet and optional recycle decal (when specified)



Material

The recycler is 43.60" tall and is composed of 10-gauge slotted steel with a .63" gap vertical slotted pattern. The side door features a full-length, heavy-duty steel hinge and a tamper-resistant cam lock and key system. The recycler has two 5" high and 5" wide recycle openings located on opposite sides of each other. The contour top is made of 16-gauge galvanized steel.

Optional decals are available. Choose "Bottles/Cans" with recycling logo, "Mixed Recycling" with recycling logo or "Trash" decal—custom decals also available. Specify black or white lettering. Decals will be factory installed and must be specified at the time of order.

The receptacle is designed to be portable for flexibility in placement or surface mounted using pre-drilled 0.32" diameter holes inside the base to prevent movement. Mounting hardware is not included. The rubber feet are adjustable to assist in leveling the receptacle. The reusable plastic liner is made of high-density polyethylene.

Finish

Fade-resistant, powder coated steel features a state-of-the-art primer proven to prevent rusting. Treated components exceed the industry standard by 34% in testing by independent sources.

Color

See website or sales representative for color choices.

Assembly

The receptacle ships fully assembled and ready for use.

Maintenance

The product is virtually maintenance-free and requires only periodic cleaning with a sponge and a mild detergent and water solution to remove surface dirt. Do not clean with solvent or petroleum base products.

Warranty

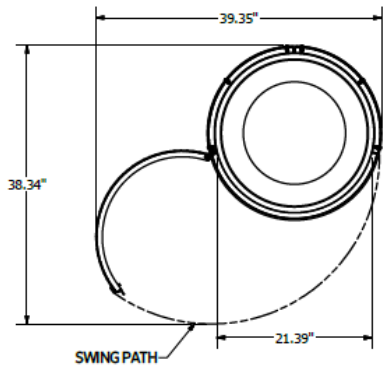
20-year limited structural warranty with 7-year finish warranty against fading from the date of purchase. See full details on multi-year warranties for components at www.anovafurnishings.com/warranty.aspx.

Replacement Parts

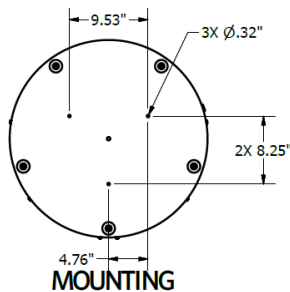
Black Plastic Liner R-DOM1012

Decals

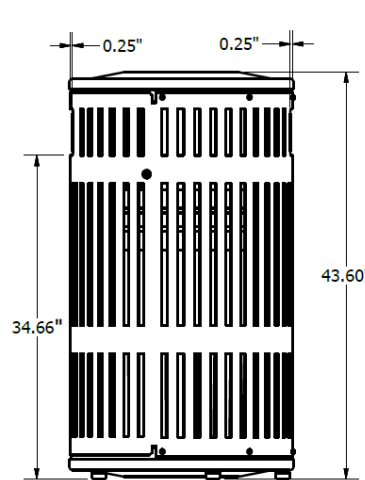
Trash w/Logo-White DEC2000
 Trash w/Logo-Black DEC2002
 Bottles/Cans w/Logo-White DEC2008
 Bottles/Cans w/Logo-Black DEC2010
 Mixed Recycling w/Logo-Wht DEC5000
 Mixed Recycling w/Logo-Blk DEC5002



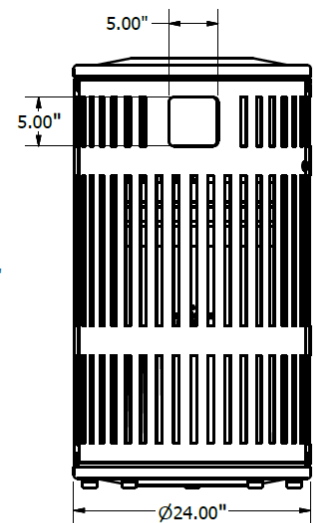
DOOR OPENING



MOUNTING



SIDE VIEW



FRONT VIEW

SHIPPING INFORMATION

Unit Weight	Unit Shipping Wt. UPS	Unit Shipping Wt. Truck (1+ Units)	Unit Ship Size w/Pallet	Max Units Per Pallet	Pallet Size/Wt. (32" x 48")	Total No. Pkgs.	Shipping Class
126 lbs.	N/A	137 lbs./unit	39 cu. ft.	4	50 lbs.	1	100